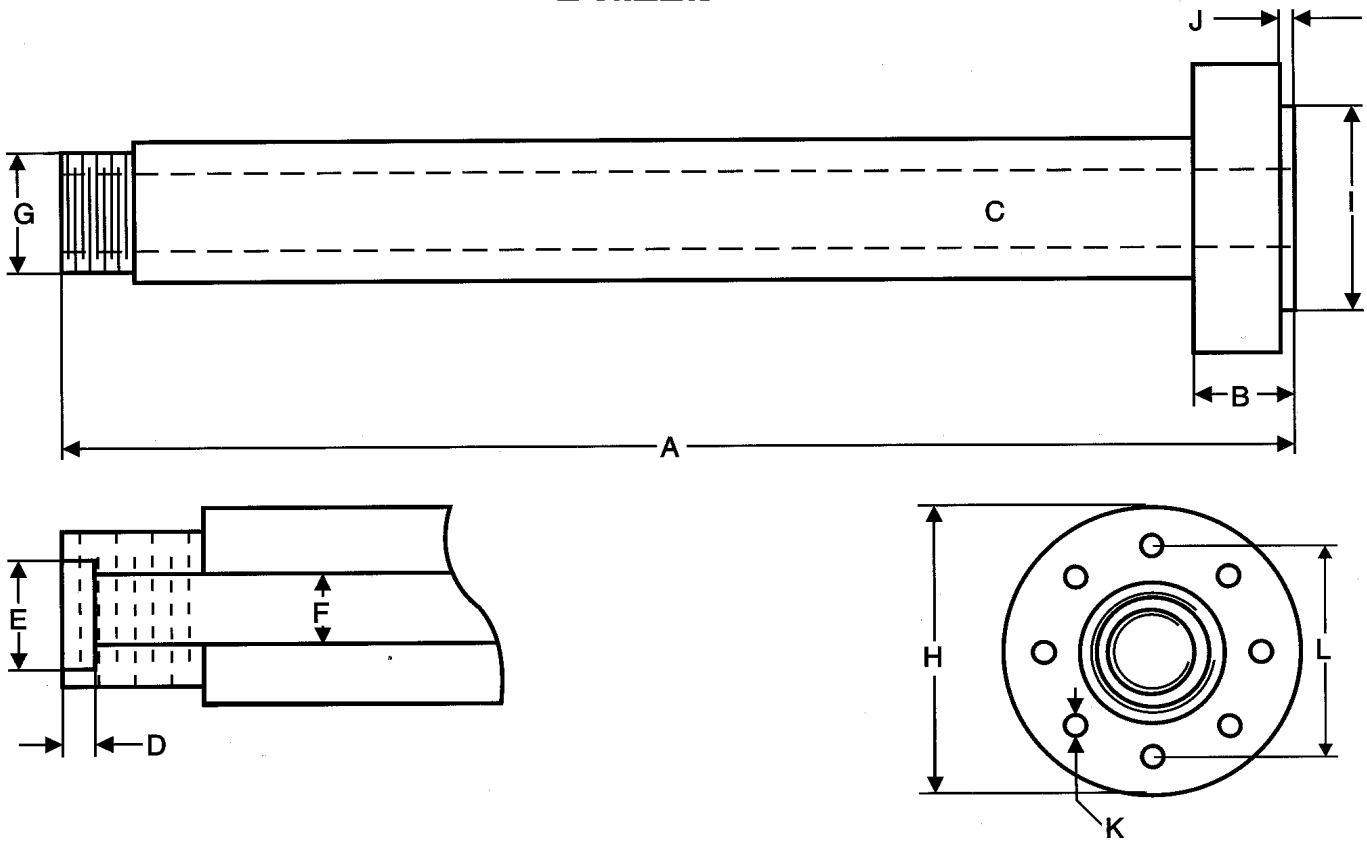


BARREL ORDER FORM



SIMPLE TO ORDER
 Merely Advise us of the Dimensions Below

STATE MAKE OF MACHINE _____

- | | |
|-----------------------------|----------------------------------|
| A Overall Length _____ | G Thread Diameter _____ |
| B Flange Length _____ | H Flange Diameter _____ |
| C Pocket Size & Shape _____ | I Spigot Diameter _____ |
| D Recess Length _____ | J Spigot Length _____ |
| E Recess Diameter _____ | K Flange Holes & C/Bores _____ |
| F Barrel Bore Size _____ | L P.C.D. of Location Holes _____ |



MOLDERS CHOICE, INC.
Serving Molders needs all over the World