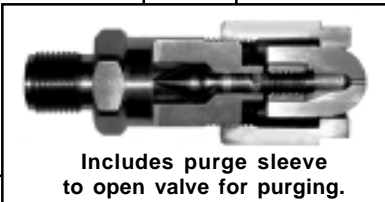
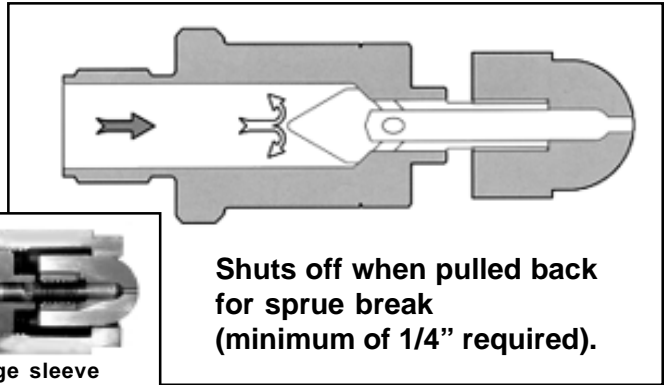
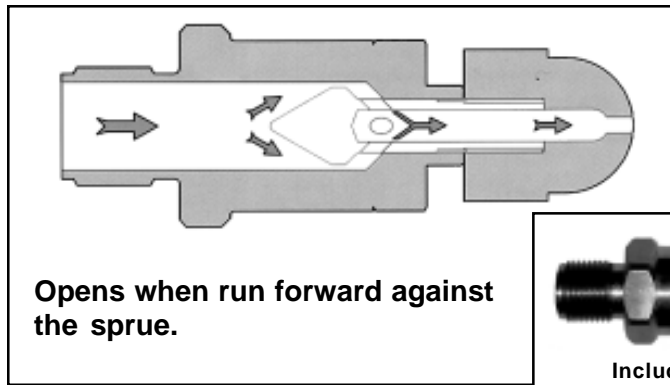
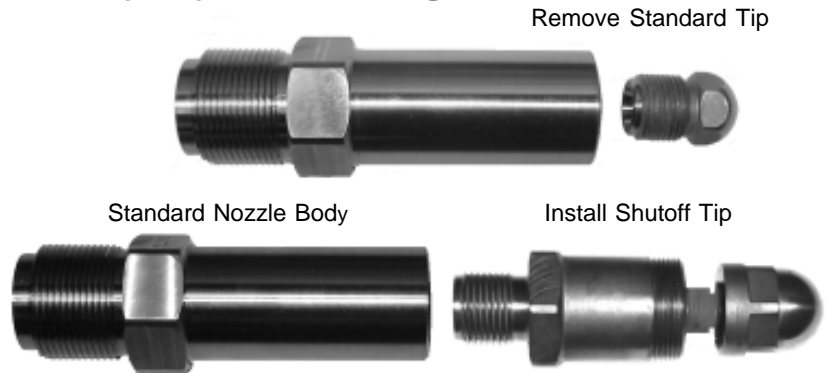


SHUTOFF TIP

A Must for Sprue Break

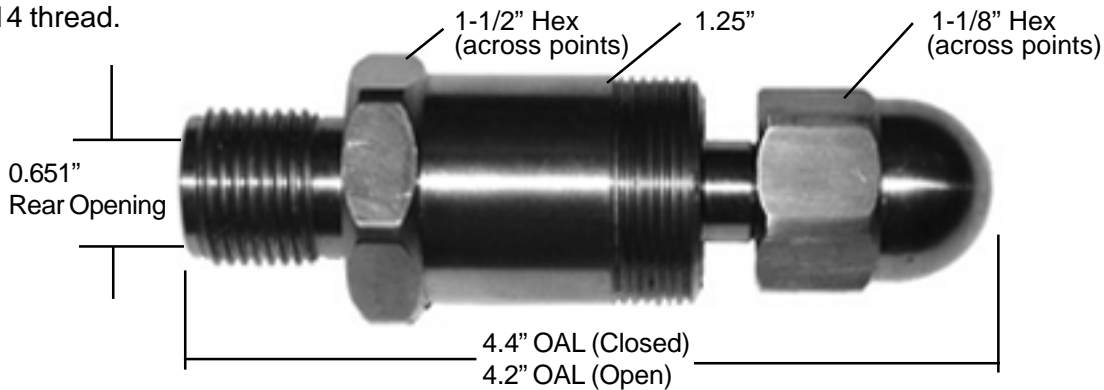
Transform a Standard Nozzle into a Shutoff Nozzle simply by replacing the tip.

- Stops Drool & Stringing.
- Protects Heater Bands.
- Provides Positive Shutoff.
- Low Profile
- Simple to Use.
- Easy to Install.



Fits standard nozzle bodies with 7/8-14 thread.

Low Profile — to fit into recess of most molds.



NOTE: Flow rates through the shutoff nozzle tip are similar to flow rates through a standard tip with a 1/8" orifice.

Adds 3-1/2" to body length.

To Order, Specify Radius (or Flat Face) and Orifice Size. Price \$350.00

Recommended Heater Band 1-1/4" x 1", HBS021 (120V) or HBS022 (240V)



© 2009 MOLDERS CHOICE, Inc.

24 Hour Service - 7 Days a week
1-800-809-4623
 WebSite: www.molderschoice.com • Email: modlers@molderschoice.com