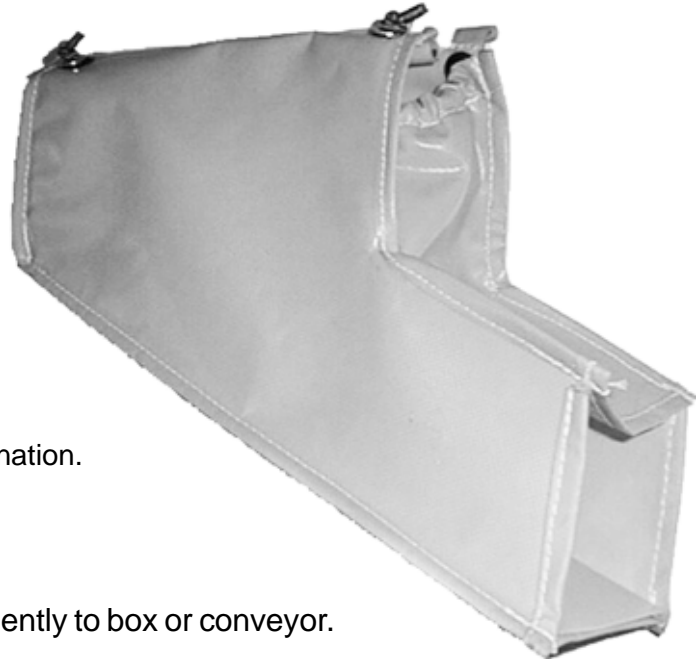


Inline MOLD CHUTE

Stops Part Loss. Helps Direct Parts to Conveyor or Box.

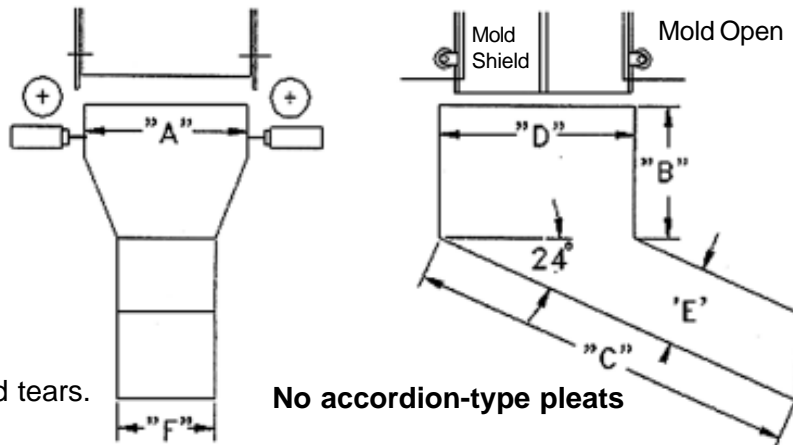
**Easily Mounts to Machine Frame.
Remains Open at All Times.**

- **Magnetic Mounting** allows quick and easy:
 - Initial Installation
 - Removal for Mold Maintenance
 - Movement from Mold to Mold
- **Reduces Scrap** by preventing parts loss.
- **Improves Quality** by preventing parts contamination.
- **Easily Cleaned**



Angled to drop parts gently to box or conveyor.

PART#	Open Length A	Clearance Height B	Chute Length C	Open Width D	Chute Height E	Chute Width F	PRICE
IMC-20	8"	6"	20"	8"	4"	6"	\$160.00
IMC-25	10"	6"	22"	10"	5"	7"	\$160.00
IMC-30	12"	6"	25"	12"	6"	8"	\$165.00
IMC-35	14"	7.2"	27"	14"	6"	8"	\$170.00
IMC-40	16"	8.4"	29"	16"	7"	9"	\$175.00
IMC-45	18"	8.4"	31"	18"	8"	10"	\$190.00
IMC-50	20"	9.3"	33"	20"	8"	10"	\$200.00
IMC-55	22"	10.5"	35"	22"	9"	11"	\$205.00
IMC-60	24"	11.8"	37"	24"	9"	12"	\$210.00



Low-Durometer PVC

- Does not absorb oil or grease
- Resists abrasion, punctures and tears.

© 2009 MOLDERS CHOICE, Inc.



24 Hour Service - 7 Days a week
1-800-809-4623
 WebSite: www.molderschoice.com • Email: molders@molderschoice.com