

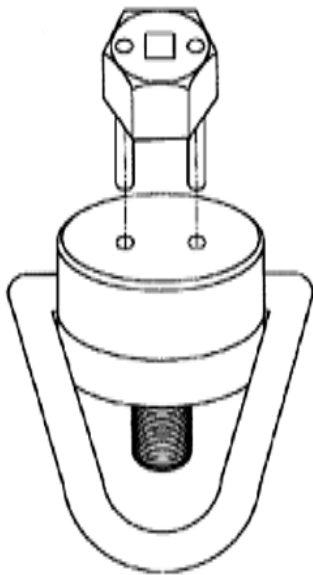
# Tamper Resistant SWIVEL EYEBOLT

Installs permanently on your mold to help ensure safe lifting



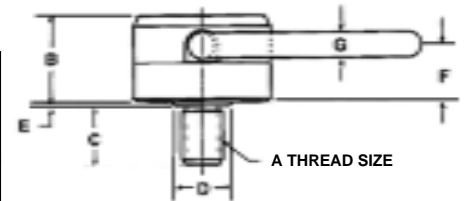
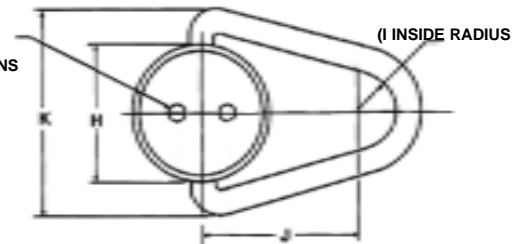
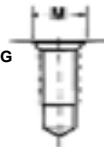
Special Installation Tool required – helps prevent unauthorized removal

The same advantages and specifications as our Center-Pull Hoist Ring, but Tamper resistant



(2) HOLES FOR 3/16 or 5mm DIAMETER PINS ON INSTALLATION TOOL

TO PREVENT BINDING, THE MOUNTING HOLE COUNTERSINK SHOULD NOT EXCEED 'M' DIMENSION



### Pricing

Thread Size	Swivel Eyebolt		Installation Tool	
	PART #	PRICE	PART #	PRICE
3/8-16	47621	\$53.00	47641	\$10.00
1/2-13	47622	\$40.00	47641	\$10.00
5/8-11	47625	\$46.00	47642	\$14.00
3/4-10	47626	\$56.00	47643	\$14.00

### Swivel Eyebolt Specifications

PART #	Torque ft. lbs.	Load Capacity (lbs)	Thread Size A	in Inches (unless specified)										
				B	C	D	E	F	G	H	I	J	K	M
47621	7	1000	3/8-16	1-3/32	9/16	3/4	3/64	45/64	5/16	1-3/4	1/2	2	2-5/8	1/2
47622	20	2000	1/2-13	1-3/32	3/4	3/4	3/64	45/64	5/16	1-3/4	1/2	2	2-5/8	5/8
47625	35	3000	5/8-11	1-1/4	15/16	7/8	3/64	3/4	3/8	2-1/4	5/8	2-1/2	3-1/4	3/4
47626	55	4000	3/4-10	1-33/64	1-1/8	1	1/32	57/64	1/2	2-5/8	3/4	3	3-7/8	7/8

© 2009 MOLDERS CHOICE, Inc.



24 Hour Service - 7 Days a week  
**1-800-809-4623**  
 WebSite: [www.molderschoice.com](http://www.molderschoice.com) • Email: [molders@molderschoice.com](mailto:molders@molderschoice.com)