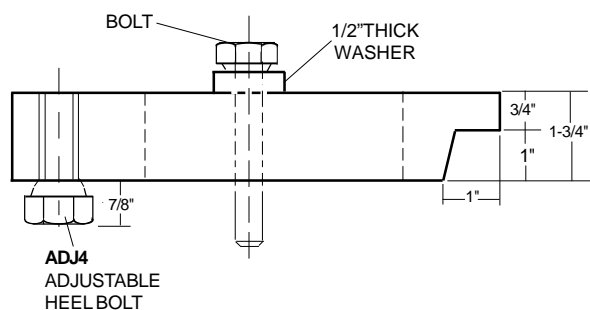


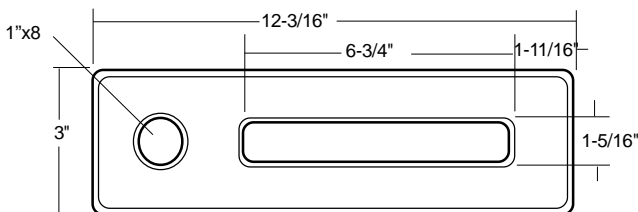
12" CLOSED-TOE MACHINED MOLD CLAMP

FOR 1-1/4" - 7 PLATEN HOLES
Adjustable, for all Mold Flanges 1" to 4-1/4"

- Hi-tensile hardened steel
- Black oxide finish resists rust and corrosion
- Extra thick design



Heavy duty design will NOT bend or break!



Full 1 Year Warranty

| PART # | DESCRIPTION | PRICE |
|----------|-------------------------------------------------------------------|---------|
| MCCM12 | 12" Closed-Toe Mold Clamp, weight: 13 lbs | \$69.00 |
| B1147-60 | 1-1/4" - 7 x 6" Hex-head bolt (grade 8, black finish) | \$ 7.20 |
| B1147-70 | 1-1/4" - 7 x 7" Hex-head bolt (grade 8, black finish) | \$ 8.00 |
| ETW11450 | 2-1/2" O.D. x 1-5/16 I.D. x 1/2" thick Washer for 1-1/4" x 7 bolt | \$ 6.80 |
| ADJ4 | Adjustable heel bolt for 12" mold clamp, 1"x8 x 3-1/2 | \$11.65 |

*** For Metric bolts, please call for prompt pricing & delivery**

© 2009 MOLDERS CHOICE, Inc.



24 Hour Service - 7 Days a week

1-800-809-4623

WebSite: www.molderschoice.com • Email: molders@molderschoice.com