

# MOLD CLAMPS Accessory Replacement Parts

## High Strength: Grade 5, Hex Head Clamping Screws

Part #	Length	Thread Size	Hex Size	Thickness	Price Each
MCS1235	3-1/2	1/2-13	3/4	5/16	\$2.50
MCS5832	3-1/2	5/8-11	15/16	25/64	\$2.25
MCS8535	3-1/2	5/8-11	15/16	25/64	\$2.50
MCS5837	3-3/4	5/8-11	15/16	25/64	\$2.75
MCS7540	4	3/4-10	1-1/8	15/32	\$3.50
MCS7545	4-1/2	3/4-10	1-1/8	15/32	\$3.75
MCS1045	4-1/2	1-8	1-1/2	39/64	\$7.25
MCS1050	5	1-8	1-1/2	39/67	\$7.50
MCS1055	5-1/2	1-8	1-1/2	39/64	\$8.00
MCS1256	6	1-1/2-6	1-7/8	3/4	\$17.75
MCS1506	6	1-1/2-6	2-1/4	7/8	\$21.50



## Extra Large No-Twist Rectangular Mold Washers



Part #	Screw Dia. (I.D.)	Length	Thickness Above Clamp	Clamp Width	Price Each
MCSW127	1/2	2-1/4	3/4	1-1/4	\$6.00
MCSW587	5/8	2-1/4	3/4	1-1/4	\$5.50
MCSW757	3/4	2-1/2	3/4	1-1/2	\$6.00
MCSW1007	1	3	1	2	\$7.25

## High Strength: T-Slot Bolts

Part #	Length	Thread Size	Price Each
MCTB5845	4-1/2	5/8-11	\$7.00
MCTB7550	5	3/4-10	\$9.00
MCTB1060	6	1-8	\$16.00



## Extra Large Round Mold Washers



Part #	Screw Dia. (I.D.)	O.D. Dia.	Thickness	Price Each
MCRW586	5/8	1-3/4	1/2	\$4.00
MCRW756	3/4	2	1/2	\$3.75
MCRW1006	1	2-1/2	5/8	\$6.75
MCRW1256	1-1/4	3	5/8	\$8.25
MCRW1506	1-1/2	3-1/2	5/8	\$10.00

## Hex Head Adjusting Screws

Part #	Clamp Screw Dia.	Thread Size	Head Thickness	Height Above Head	Price Each
MCH-58	5/8	5/8-11	7/16	2-1/2	\$2.75
MCH75	3/4	3/4-10	1/2	2-1/2	\$3.25
MCH100	1	1-8	5/8	2-1/2	\$6.00



## Round Mold Washers



Part #	Screw Dia. (I.D.)	O.D. Dia.	Thickness	Price Each
MCRW58	5/8	1-1/4	1/4	\$2.50
MCRW75	3/4	1-1/2	1/4	\$3.00
MCRW100	1	2	5/16	\$4.00

## Extra Large Adjusting Screw Assemblies

Part #	Clamp Screw Dia.	Thread Size	Swivel Base Hex Size	Base Height	Height Above Head	Price Each
MCH585	5/8	5/8-11	1-3/4	7/8	3	\$9.00
MCH755	3/4	3/4-10	2	7/8	3-1/2	\$10.50
MCH1005	1	1-8	2-1/2	1-5/16	3-1/2	\$16.50
MCH1505	1-1/4	1-1/2-6	3	1-5/8	5-5/8	\$30.00



## Heavy Duty Hex Nuts for T-Slot Bolts



Part #	Screw Dia. (I.D.)	O.D. Dia.	Thickness	Price Each
MCN58	5/8-11	1-1/16	39/64	\$2.50
MCN75	3/4-10	1-1/4	47/64	\$3.00
MCN100	1-8	2-1/2	63/64	\$3.75

© 2009 MOLDERS CHOICE, Inc.

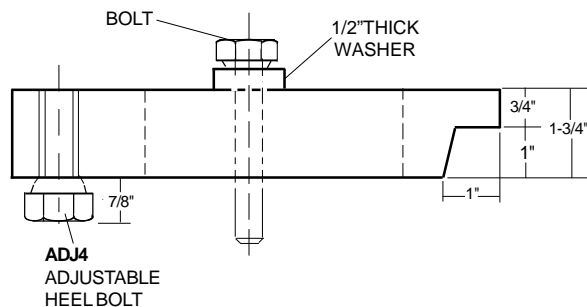


**24 Hour Service - 7 Days a week**  
**1-800-809-4623**  
 WebSite: [www.molderschoice.com](http://www.molderschoice.com) • Email: [molders@molderschoice.com](mailto:molders@molderschoice.com)

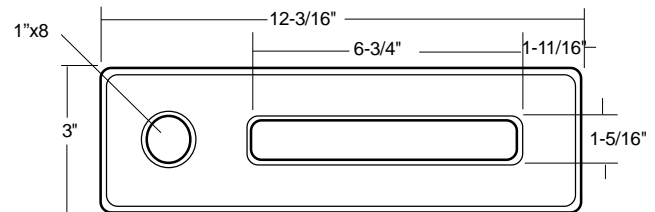
# 12" CLOSED-TOE MACHINED MOLD CLAMP

**FOR 1-1/4" - 7 PLATEN HOLES**  
Adjustable, for all Mold Flanges 1" to 4-1/4"

- Hi-tensile hardened steel
- Black oxide finish resists rust and corrosion
- Extra thick design



**Heavy duty design will NOT bend or break!**



**Full 1 Year Warranty**

PART #	DESCRIPTION	PRICE
MCCM12	12" Closed-Toe Mold Clamp, weight: 13 lbs	\$69.00
B1147-60	1-1/4" - 7 x 6" Hex-head bolt (grade 8, black finish)	\$ 7.20
B1147-70	1-1/4" - 7 x 7" Hex-head bolt (grade 8, black finish)	\$ 8.00
ETW11450	2-1/2" O.D. x 1-5/16 I.D. x 1/2" thick Washer for 1-1/4" x 7 bolt	\$ 6.80
ADJ4	Adjustable heel bolt for 12" mold clamp, 1"x8 x 3-1/2	\$11.65

**\* For Metric bolts, please call for prompt pricing & delivery**

© 2009 MOLDERS CHOICE, Inc.



24 Hour Service - 7 Days a week

**1-800-809-4623**

WebSite: [www.molderschoice.com](http://www.molderschoice.com) • Email: [molders@molderschoice.com](mailto:molders@molderschoice.com)

# MOLDERS CHOICE BOLTS

## Standard Grade 8 Hex Head Bolts

PART #	Thread Size	Length (under head)	PRICE
B3816-12	3/8 x 16	1/2"	\$0.35
B3816-100	3/8 x 16	1"	\$0.45
B3816-112	3/8 x 16	1-1/2"	\$0.55
B3816-200	3/8 x 16	2"	\$0.65
B3816-300	3/8 x 16	3"	\$0.85
B3816-60	3/8 x 16	6"	\$1.25
B3816-70	3/8 x 16	7"	\$1.50
B1213-034	1/2 x 13	3/4"	\$1.80
B1213-100	1/2 x 13	1"	\$0.50
B1213-112	1/2 x 13	1-1/2"	\$0.50
B1213-20	1/2 x 13	2"	\$0.50
B1231-25	1/2 x 13	2-1/2"	\$1.00
B1213-30	1/2 x 13	3"	\$1.15
B1213-35	1/2 x 13	3-1/2"	\$1.25
B1213-40	1/2 x 13	4"	\$1.45
B3410-30	3/4 x 10	3"	\$1.55
B3410-35	3/4 x 10	3-1/2"	\$1.50

PART #	Thread Size	Length (under head)	PRICE
B3410-40	3/4 x 10	4"	\$1.75
B3410-45	3/4 x 10	4-1/2"	\$1.95
B3410-50	3/4 x 10	5"	\$2.50
B3410-55	3/4 x 10	5-1/2"	\$3.00
B3410-70	3/4 x 10	7"	\$3.50
B5811-35	5/8 x 11	3-1/2"	\$1.25
B5811-40	5/8 x 11	4"	\$1.50
B5811-45	5/8 x 11	4-1/2"	\$1.65
B5811-50	5/8 x 11	5"	\$2.00
B5811-70	5/8 x 11	7"	\$2.50
B1080-45	1 x 8	4-1/2"	\$3.00
B1080-55	1 x 8	5-1/2"	\$3.50
B1080-60	1 x 8	6"	\$4.25
B1147-45	1-1/4 x 7	4-1/2"	\$7.00
B1147-55	1-1/4 x 7	5-1/2"	\$7.50
B1147-60	1-1/4 x 7	6"	\$8.00
B1147-70	1-1/4 x 7	7"	\$8.50

## Metric Grade 8 Hex Head Bolts

PART #	Thread Size	Length (under head)	PRICE
MB12175-55	M12 x 1.75	55MM(2.16")	\$1.75
MB12175-65	M12 x 1.75	65MM(2.55")	\$1.75
MB12175-85	M12 x 1.75	85MM(3.34")	\$1.95
MB12175-90	M12 x 1.75	90MM(3.54")	\$2.15
MB12175-100	M12 x 1.75	100MM(3.93")	\$2.35

PART #	Thread Size	Length (under head)	PRICE
MB1217510-100	M12 x 1.75	110MM(4.33")	\$2.75
MB16200-80	M16 x 2	80MM(3.14")	\$1.75
MB16200-90	M16 x 2	90MM(3.54")	\$2.25
MB16200100	M16 x 2	100MM(3.93")	\$2.50
MB16200160	M16 x 2	160MM(6.29")	\$4.25

## Socket Head Grade 8 Bolts

PART #	Thread Size	Length (under head)	PRICE
SH1213-25	1/2 x 13	2-1/2"	\$2.30
SH1231-30	1/2 x 13	3"	\$2.50
SH1231-40	1/2 x 13	4"	\$3.00
SH1231-45	1/2 x 13	4-1/2"	\$3.50
SH1231-60	1/2 x 13	6"	\$6.00
SH5811-30	5/8 x 11	3"	\$1.50
SH5811-35	5/8 x 11	3-1/2"	\$1.75
SH5811-40	5/8 x 11	4"	\$1.85
SH5811-45	5/8 x 11	4-1/2"	\$2.00
SH5811-50	5/8 x 11	5"	\$2.50
SH5811-55	5/8 x 11	5-1/2"	\$2.60

PART #	Thread Size	Length (under head)	PRICE
SH5811-60	5/8 x 11	6"	\$2.80
SH5811-65	5/8 x 11	6-1/2"	\$2.95
SH3410-45	3/4 x 10	4-1/2"	\$3.00
SH3410-50	3/4 x 10	5"	\$4.00
SH3410-55	3/4 x 10	5-1/2"	\$5.25
SH3410-60	3/4 x 10	6"	\$5.75
SH3410-70	3/4 x 10	7"	\$6.00
SH1080-45	1 x 8	4-1/2"	\$6.50
SH1080-50	1 x 8	5"	\$7.00
SH1080-60	1 x 8	6"	\$7.50
SH1080-70	1 x 8	7"	\$8.50

© 2009 MOLDERS CHOICE, Inc.



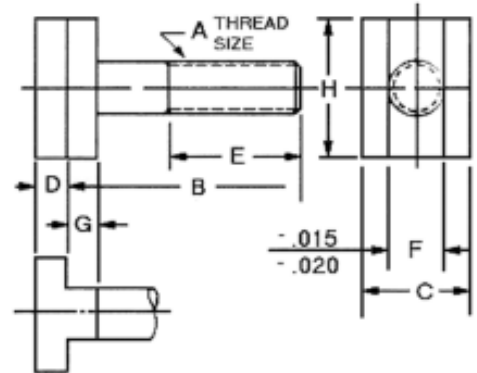
24 Hour Service - 7 Days a week  
**1-800-809-4623**

WebSite: [www.molderschoice.com](http://www.molderschoice.com) • Email: [molders@molderschoice.com](mailto:molders@molderschoice.com)

# T-SLOT BOLTS



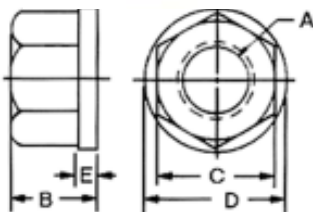
- Material: 4140 Forging (150,000 psi) Tensile(min)
- Finish: Black Oxide
- Heat Treat: Rc 34-38
- Thread: 2A-UNC



PART #	Thread Size A	B	C	D	E	F	G	H	Wt. (LBS)	PRICE
TSB1213-25	1/2-13	2-1/2	7/8	5/16	1-1/4	1/2	9/32	1-1/4	.27	\$10.00
TSB1213-30	1/2-13	3	7/8	5/16	1-1/2	1/2	9/32	1-1/4	.30	\$12.00
TSB1213-35	1/2-13	3-1/2	7/8	5/16	1-1/2	1/2	9/32	1-1/4	.33	\$14.00
TSB1213-40	1/2-13	4	7/8	5/16	1-1/2	1/2	9/32	1-1/4	.37	\$16.00
TSB5811-25	5/8-11	2-1/2	1-1/8	3/8	1-1/4	5/8	3/8	1-1/2	.41	\$15.00
TSB5811-30	5/8-11	3	1-1/8	3/8	1-1/2	5/8	3/8	1-1/2	.44	\$17.00
TSB5811-35	5/8-11	3-1/2	1-1/8	3/8	1-1/2	5/8	3/8	1-1/2	.50	\$19.00
TSB5811-40	5/8-11	4	1-1/8	3/8	1-1/2	5/8	3/8	1-1/2	.55	\$22.00
TSB5811-50	5/8-11	5	1-1/8	3/8	1-1/2	5/8	3/8	1-1/2	.62	\$24.00
TSB5811-60	5/8-11	6	1-1/8	3/8	1-1/2	5/8	3/8	1-1/2	.72	\$26.00
TSB3410-25	3/4-10	2-1/2	1-5/16	7/16	1-1/4	3/4	7/16	1-3/4	.64	\$14.00
TSB3410-30	3/4-10	3	1-5/16	7/16	1-1/2	3/4	7/16	1-3/4	.70	\$16.00
TSB3410-35	3/4-10	3-1/2	1-5/16	7/16	1-1/2	3/4	7/16	1-3/4	.77	\$18.00
TSB3410-40	3/4-10	4	1-5/16	7/16	1-1/2	3/4	7/16	1-3/4	.85	\$20.00
TSB3410-50	3/4-10	5	1-5/16	7/16	1-1/2	3/4	7/16	1-3/4	.95	\$26.00
TSB3410-60	3/4-10	6	1-5/16	7/16	1-1/2	3/4	7/16	1-3/4	1.05	\$30.00
TSB1080-35	1-8	3-1/2	1-11/16	1/2	2	1	1/2	2-1/4	1.25	\$27.00
TSB1080-40	1-8	4	1-11/16	1/2	2	1	1/2	2-1/4	1.50	\$27.00
TSB1080-45	1-8	4-1/2	1-11/16	1/2	2-1/2	1	1/2	2-1/4	1.62	\$29.00
TSB1080-50	1-8	5	1-11/16	1/2	2-1/2	1	1/2	2-1/4	1.75	\$29.00
TSB1080-60	1-8	6	1-11/16	1/2	2-1/2	1	1/2	2-1/4	2.00	\$35.00



# FLANGE NUTS



PART #	Size A	B	C	D	E	Wt. (LBS)	PRICE
FN1213	1/2-13	11/16	7/8	1-1/8	5/32	1.10	\$3.00
FN5811	5/8-11	13/16	1-1/16	1-3/8	3/16	1.75	\$3.25
FN3410	3/4-10	1	1-1/4	1-5/8	1/4	3.20	\$4.50
FN1080	1-8	1-1/4	1-5/8	2	1/4	6.00	\$7.00

© 2009 MOLDERS CHOICE, Inc.



24 Hour Service - 7 Days a week

# 1-800-809-4623

WebSite: [www.molderschoice.com](http://www.molderschoice.com) • Email: [molders@molderschoice.com](mailto:molders@molderschoice.com)