

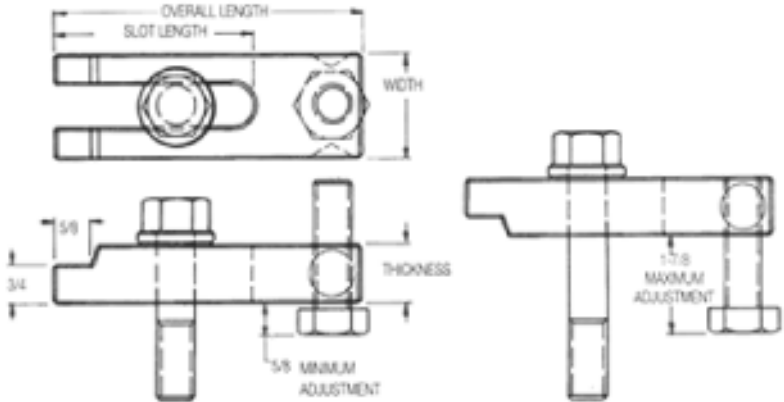
Open Toe MOLD CLAMPS

HEAVY DUTY

(All Clamp Styles and Sizes Available with Non-Swivel-Base)



- Each Mold Clamp Set Consists of:
- 1 - Mold Clamp
 - 1 - Clamp Adjusting Screw
 - 1 - Mold Washer
 - 1 - Clamping Screw



| For Clamping Screw Diameter | Clamping Screw Size Supplied With Assembly Diameter x Length | Mold Clamp Specifications | | | | Complete Assembly Part Number | Price Each | Individual Clamp Bodies Part Number | Price Each |
|-----------------------------|--|---------------------------|-------|-------------|----------------|-------------------------------|------------|-------------------------------------|------------|
| | | Thickness | Width | Slot Length | Overall Length | | | | |
| 5/8" | 5/8-11 x 3-1/4 | 1 | 1-3/4 | 2-3/4 | 4 | MCCFC584A | \$20.75 | MCHD584 | \$16.75 |
| | | | | 3-1/4 | 5 | MCCFC585A | \$22.50 | MCHD585 | \$17.50 |
| | | | | 3-3/4 | 6 | MCCFC586A | \$24.50 | MCHD586 | \$20.50 |
| | | | | 4-1/4 | 7 | MCCFC587A | \$26.25 | MCHD587 | \$22.50 |
| 3/4" | 3/4-10 x 4 | 1-1/8 | 2 | 3-3/8 | 5 | MCCFC755A | \$29.25 | MCHD755 | \$22.75 |
| | | | | 3-7/8 | 6 | MCCFC756A | \$30.25 | MCHD756 | \$24.75 |
| | | | | 4-3/8 | 7 | MCCFC757A | \$33.25 | MCHD757 | \$26.75 |
| | | | | 5-3/8 | 8 | MCCFC758A | \$35.25 | MCHD758 | \$29.00 |
| 1" | 1-8 x 4-1/2 | 1-1/2 | 2-1/2 | 6 | 10 | MCCFC110A | \$52.75 | MCHD110 | \$39.25 |



© 2009 MOLDERS CHOICE, Inc.

24 Hour Service - 7 Days a week
1-800-809-4623
 WebSite: www.molderschoice.com • Email: modlers@molderschoice.com

Open Toe MOLD CLAMPS

HEAVY DUTY

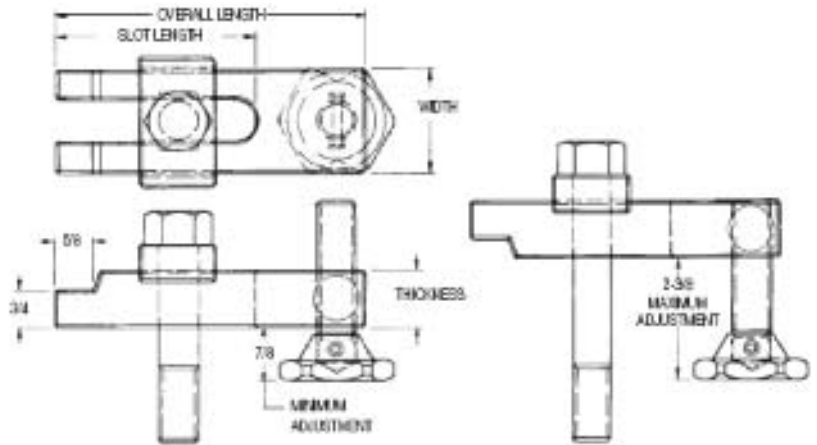
(with Swivel-Base Adjusting Screw)



Each Mold Clamp Set

Consists of:

- 1 - Mold Clamp
- 1 - Clamp Adjusting Screw
- 1 - Mold Washer
- 1 - Clamping Screw



| For Clamping Screw Diameter | Clamping Screw Size Supplied With Assembly Diameter x Length | Mold Clamp Specifications | | | | Complete Assembly Part Number | Price Each | Individual Clamp Bodies Part Number | Price Each |
|-----------------------------|--|---------------------------|-------|-------------|----------------|-------------------------------|------------|-------------------------------------|------------|
| | | Thickness | Width | Slot Length | Overall Length | | | | |
| 5/8" | 5/8-11 x 3-1/2 | 1 | 1-3/4 | 2-3/4 | 4 | MCTAC584A | \$30.00 | MCHD584 | \$16.75 |
| | | | | 3-1/4 | 5 | MCTAC585A | \$31.75 | MCHD585 | \$17.50 |
| | | | | 3-3/4 | 6 | MCTAC586A | \$33.75 | MCHD586 | \$20.50 |
| | | | | 4-1/4 | 7 | MCTAC587A | \$35.25 | MCHD587 | \$22.50 |
| 3/4" | 3/4-10 x 4 | 1-1/8 | 2 | 3-3/8 | 5 | MCTAC755A | \$38.50 | MCHD755 | \$22.75 |
| | | | | 3-7/8 | 6 | MCTAC756A | \$40.25 | MCHD756 | \$24.75 |
| | | | | 4-3/8 | 7 | MCTAC757A | \$42.25 | MCHD757 | \$26.75 |
| | | | | 5-3/8 | 8 | MCTAC758A | \$44.50 | MCHD758 | \$29.00 |
| 1" | 1-8 x 5 | 1-1/2 | 2-1/2 | 6 | 10 | MCTAC110A | \$67.00 | MCHD110 | \$39.25 |

© 2009 MOLDERS CHOICE, Inc.



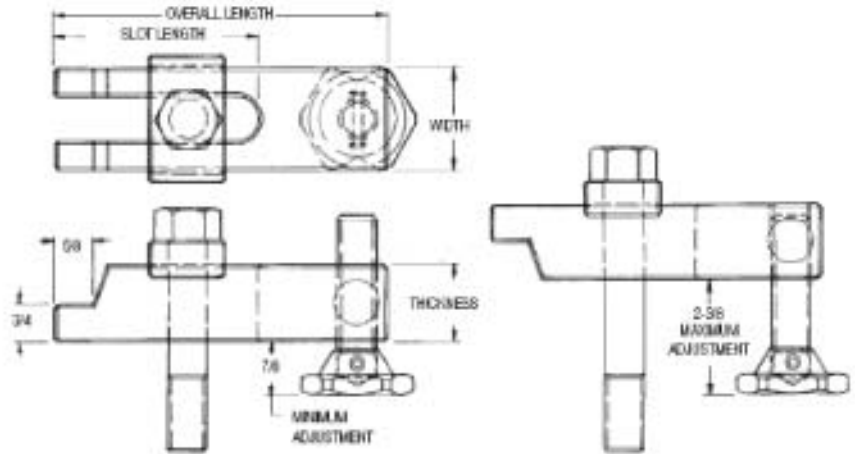
24 Hour Service - 7 Days a week
1-800-809-4623
 WebSite: www.molderschoice.com • Email: molders@molderschoice.com

Open Toe MOLD CLAMPS

EXTRA HEAVY DUTY (with Swivel-Base Adjusting Screw)



- Each Mold Clamp Set
Consists of:
- 1 - Mold Clamp
 - 1 - Clamp Adjusting Screw
 - 1 - Mold Washer
 - 1 - Clamping Screw



| For Clamping Screw Diameter | Clamping Screw Size Supplied With Assembly Diameter x Length | Mold Clamp Specifications | | | | Complete Assembly Part Number | Price Each | Individual Clamp Bodies Part Number | Price Each |
|-----------------------------|--|---------------------------|-------|-------------|----------------|-------------------------------|------------|-------------------------------------|------------|
| | | Thickness | Width | Slot Length | Overall Length | | | | |
| 5/8" | 5/8-11 x 3-3/4 | 1-1/4 | 1-3/4 | 3-5/8 | 6 | MCTAC5860A | \$37.00 | MCHXD5860 | \$24.25 |
| | | | | 4-5/8 | 7-1/2 | MCTAC5875A | \$40.25 | MCHXD5875 | \$27.25 |
| 3/4" | 3/4-10 x 3-3/4 | 1-1/2 | 2 | 4 | 6-1/2 | MCTAC7565A | \$50.00 | MCHXD7565 | \$34.25 |
| | | | | 5 | 8 | MCTAC7580A | \$53.00 | MCHXD7580 | \$37.25 |
| | | | | 6 | 9-1/2 | MCTAC7595A | \$71.50 | MCHXD7595 | \$40.25 |
| 1" | 1-8 x 3-3/4 | 1-3/4 | 2-1/2 | 4-3/8 | 8 | MCTAC1008A | \$71.50 | MCHXD1008 | \$42.50 |
| | | | | 6-3/8 | 11 | MCTAC5875A | \$40.25 | MCHXD5875 | \$27.25 |

© 2009 MOLDERS CHOICE, Inc.



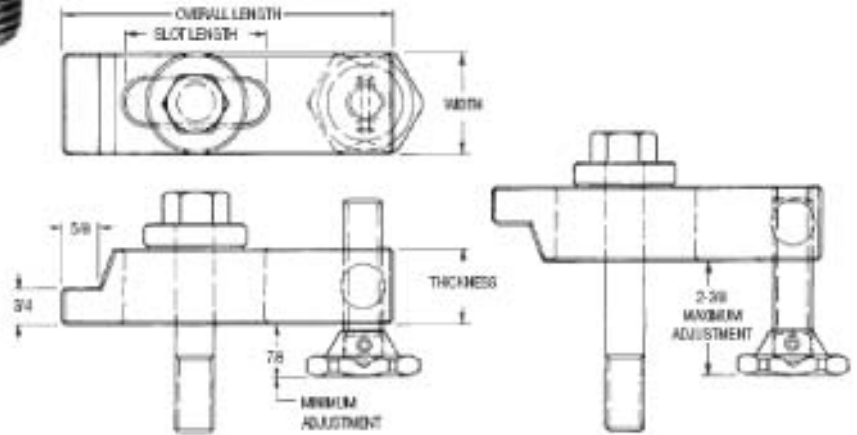
24 Hour Service - 7 Days a week
1-800-809-4623
 WebSite: www.molderschoice.com • Email: molders@molderschoice.com

Closed Toe MOLD CLAMPS

EXTRA HEAVY DUTY (with Swivel-Base Adjusting Screw)



- Each Mold Clamp Set
Consists of:
- 1 - Mold Clamp
 - 1 - Clamp Adjusting Screw
 - 1 - Mold Washer
 - 1 - Clamping Screw



| For Clamping Screw Diameter | Clamping Screw Size Supplied With Assembly Diameter x Length | Mold Clamp Specifications | | | | Complete Assembly Part Number | Price Each | Individual Clamp Bodies Part Number | Price Each |
|-----------------------------|--|---------------------------|-------|-------------|----------------|-------------------------------|------------|-------------------------------------|------------|
| | | Thickness | Width | Slot Length | Overall Length | | | | |
| 5/8" | 5/8-11 x 3-1/2 | 1 | 1-3/4 | 2-5/8 | 6 | MCTAC5861A | \$37.25 | MCXHD5861 | \$25.25 |
| | | | | 3-5/8 | 7-1/2 | MCTAC5876A | \$40.00 | MCXHD5876 | \$28.00 |
| 3/4" | 3/4-10 x 4 | 1-1/8 | 2 | 2-3/4 | 6-1/2 | MCTAC7566A | \$51.25 | MCXHD7566 | \$36.50 |
| | | | | 3-3/4 | 8 | MCTAC7581A | \$54.25 | MCXHD7581 | \$39.50 |
| | | | | 4-3/4 | 9-1/2 | MCTAC7596A | \$57.50 | MCXHD7596 | \$42.75 |
| 1" | 1-8 x 5 | 1-1/2 | 2-1/2 | 3 | 8 | MCTAC1009A | \$72.00 | MCXHD1009 | \$45.00 |
| | | | | 5 | 11 | MCTAC1012A | \$79.25 | MCHXD1012 | \$52.75 |
| 1-1/4" | 1-1/4-7 x 6 | 1-3/4 | 3 | 5-1/2 | 13 | MCTAC1250A | \$144.50 | MCXHD1250 | \$94.25 |
| 1-1/2" | 1-1/2-6 x 6 | 1-3/4 | 3-1/2 | 5-3/4 | 13-1/2 | MCTAC1500A | \$160.75 | MCXHD1500 | \$104.25 |

© 2009 MOLDERS CHOICE, Inc.



24 Hour Service - 7 Days a week
1-800-809-4623
 WebSite: www.molderschoice.com • Email: molders@molderschoice.com

Closed Toe MOLD CLAMPS

EXTRA HEAVY DUTY

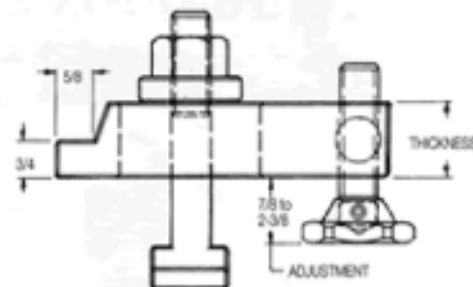
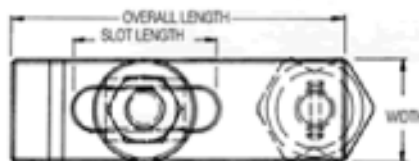
(with Swivel-Base Adjusting Screw)



Each Mold Clamp Set

Consists of:

- 1 - Mold Clamp
- 1 - Clamp Adjusting Screw
- 1 - Mold Washer
- 1 - Clamping Screw



| Clamping Screw Size Supplied With Assembly Diameter x Length | Mold Clamp Specifications | | | | Complete Assembly Part Number | Price Each | Individual Clamp Bodies Part Number | Price Each |
|---|---------------------------|-------|----------------|-------------------|--|---------------|--|---------------|
| | Thickness | Width | Slot Length | Overall Length | | | | |
| 5/8 x 4-1/2 | 1-1/4 | 1-3/4 | 2-5/8 | 6 | MCTBA5861A | \$41.50 | MCHXD5861 | \$25.25 |
| 3/4 x 3-3/4 | 1-1/2 | 2 | 4-5/8 | 7-1/2 | MCTBA7566A | \$57.75 | MCHXD7566 | \$35.50 |
| 1 x 6 | 1-3/4 | 2-1/2 | 4 | 6-1/2 | MCTBA1009A | \$80.50 | MCHXD1009 | \$44.00 |

© 2009 MOLDERS CHOICE, Inc.



24 Hour Service - 7 Days a week

1-800-809-4623

WebSite: www.molderschoice.com • Email: molders@molderschoice.com

MOLD CLAMPS Accessory Replacement Parts

High Strength: Grade 5, Hex Head Clamping Screws

| Part # | Length | Thread Size | Hex Size | Thickness | Price Each |
|---------|--------|-------------|----------|-----------|------------|
| MCS1235 | 3-1/2 | 1/2-13 | 3/4 | 5/16 | \$2.50 |
| MCS5832 | 3-1/2 | 5/8-11 | 15/16 | 25/64 | \$2.25 |
| MCS8535 | 3-1/2 | 5/8-11 | 15/16 | 25/64 | \$2.50 |
| MCS5837 | 3-3/4 | 5/8-11 | 15/16 | 25/64 | \$2.75 |
| MCS7540 | 4 | 3/4-10 | 1-1/8 | 15/32 | \$3.50 |
| MCS7545 | 4-1/2 | 3/4-10 | 1-1/8 | 15/32 | \$3.75 |
| MCS1045 | 4-1/2 | 1-8 | 1-1/2 | 39/64 | \$7.25 |
| MCS1050 | 5 | 1-8 | 1-1/2 | 39/67 | \$7.50 |
| MCS1055 | 5-1/2 | 1-8 | 1-1/2 | 39/64 | \$8.00 |
| MCS1256 | 6 | 1-1/2-6 | 1-7/8 | 3/4 | \$17.75 |
| MCS1506 | 6 | 1-1/2-6 | 2-1/4 | 7/8 | \$21.50 |



Extra Large No-Twist Rectangular Mold Washers



| Part # | Screw Dia. (I.D.) | Length | Thickness Above Clamp | Clamp Width | Price Each |
|----------|-------------------|--------|-----------------------|-------------|------------|
| MCSW127 | 1/2 | 2-1/4 | 3/4 | 1-1/4 | \$6.00 |
| MCSW587 | 5/8 | 2-1/4 | 3/4 | 1-1/4 | \$5.50 |
| MCSW757 | 3/4 | 2-1/2 | 3/4 | 1-1/2 | \$6.00 |
| MCSW1007 | 1 | 3 | 1 | 2 | \$7.25 |

High Strength: T-Slot Bolts



| Part # | Length | Thread Size | Price Each |
|----------|--------|-------------|------------|
| MCTB5845 | 4-1/2 | 5/8-11 | \$7.00 |
| MCTB7550 | 5 | 3/4-10 | \$9.00 |
| MCTB1060 | 6 | 1-8 | \$16.00 |

Extra Large Round Mold Washers



| Part # | Screw Dia. (I.D.) | O.D. Dia. | Thickness | Price Each |
|----------|-------------------|-----------|-----------|------------|
| MCRW586 | 5/8 | 1-3/4 | 1/2 | \$4.00 |
| MCRW756 | 3/4 | 2 | 1/2 | \$3.75 |
| MCRW1006 | 1 | 2-1/2 | 5/8 | \$6.75 |
| MCRW1256 | 1-1/4 | 3 | 5/8 | \$8.25 |
| MCRW1506 | 1-1/2 | 3-1/2 | 5/8 | \$10.00 |

Hex Head Adjusting Screws



| Part # | Clamp Screw Dia. | Thread Size | Head Thickness | Height Above Head | Price Each |
|--------|------------------|-------------|----------------|-------------------|------------|
| MCH-58 | 5/8 | 5/8-11 | 7/16 | 2-1/2 | \$2.75 |
| MCH75 | 3/4 | 3/4-10 | 1/2 | 2-1/2 | \$3.25 |
| MCH100 | 1 | 1-8 | 5/8 | 2-1/2 | \$6.00 |

Round Mold Washers



| Part # | Screw Dia. (I.D.) | O.D. Dia. | Thickness | Price Each |
|---------|-------------------|-----------|-----------|------------|
| MCRW58 | 5/8 | 1-1/4 | 1/4 | \$2.50 |
| MCRW75 | 3/4 | 1-1/2 | 1/4 | \$3.00 |
| MCRW100 | 1 | 2 | 5/16 | \$4.00 |

Extra Large Adjusting Screw Assemblies



| Part # | Clamp Screw Dia. | Thread Size | Swivel Base Hex Size | Base Height | Height Above Head | Price Each |
|---------|------------------|-------------|----------------------|-------------|-------------------|------------|
| MCH585 | 5/8 | 5/8-11 | 1-3/4 | 7/8 | 3 | \$9.00 |
| MCH755 | 3/4 | 3/4-10 | 2 | 7/8 | 3-1/2 | \$10.50 |
| MCH1005 | 1 | 1-8 | 2-1/2 | 1-5/16 | 3-1/2 | \$16.50 |
| MCH1505 | 1-1/4 | 1-1/2-6 | 3 | 1-5/8 | 5-5/8 | \$30.00 |

Heavy Duty Hex Nuts for T-Slot Bolts



| Part # | Screw Dia. (I.D.) | O.D. Dia. | Thickness | Price Each |
|--------|-------------------|-----------|-----------|------------|
| MCN58 | 5/8-11 | 1-1/16 | 39/64 | \$2.50 |
| MCN75 | 3/4-10 | 1-1/4 | 47/64 | \$3.00 |
| MCN100 | 1-8 | 2-1/2 | 63/64 | \$3.75 |

© 2009 MOLDERS CHOICE, Inc.

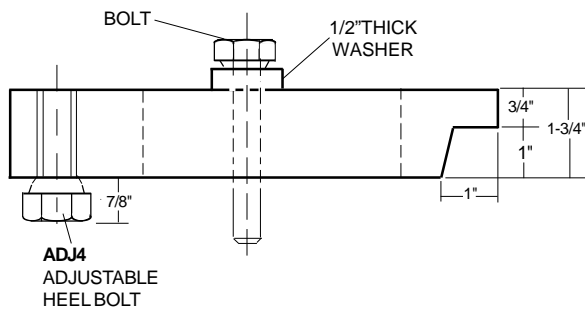


24 Hour Service - 7 Days a week
1-800-809-4623
 WebSite: www.molderschoice.com • Email: molders@molderschoice.com

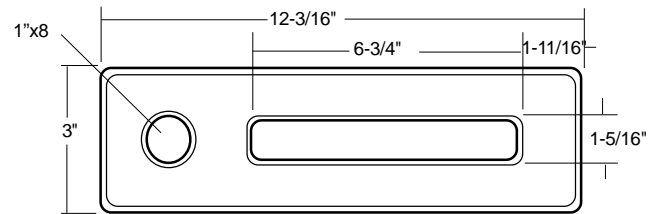
12" CLOSED-TOE MACHINED MOLD CLAMP

FOR 1-1/4" - 7 PLATEN HOLES
Adjustable, for all Mold Flanges 1" to 4-1/4"

- Hi-tensile hardened steel
- Black oxide finish resists rust and corrosion
- Extra thick design



Heavy duty design will NOT bend or break!



Full 1 Year Warranty

| PART # | DESCRIPTION | PRICE |
|----------|---|---------|
| MCCM12 | 12" Closed-Toe Mold Clamp, weight: 13 lbs | \$69.00 |
| B1147-60 | 1-1/4" - 7 x 6" Hex-head bolt (grade 8, black finish) | \$ 7.20 |
| B1147-70 | 1-1/4" - 7 x 7" Hex-head bolt (grade 8, black finish) | \$ 8.00 |
| ETW11450 | 2-1/2" O.D. x 1-5/16 I.D. x 1/2" thick Washer for 1-1/4" x 7 bolt | \$ 6.80 |
| ADJ4 | Adjustable heel bolt for 12" mold clamp, 1"x8 x 3-1/2 | \$11.65 |

*** For Metric bolts, please call for prompt pricing & delivery**

© 2009 MOLDERS CHOICE, Inc.



24 Hour Service - 7 Days a week

1-800-809-4623

WebSite: www.molderschoice.com • Email: molders@molderschoice.com

MOLDERS CHOICE BOLTS

Standard Grade 8 Hex Head Bolts

| PART # | Thread Size | Length (under head) | PRICE |
|-----------|-------------|---------------------|--------|
| B3816-12 | 3/8 x 16 | 1/2" | \$0.35 |
| B3816-100 | 3/8 x 16 | 1" | \$0.45 |
| B3816-112 | 3/8 x 16 | 1-1/2" | \$0.55 |
| B3816-200 | 3/8 x 16 | 2" | \$0.65 |
| B3816-300 | 3/8 x 16 | 3" | \$0.85 |
| B3816-60 | 3/8 x 16 | 6" | \$1.25 |
| B3816-70 | 3/8 x 16 | 7" | \$1.50 |
| B1213-034 | 1/2 x 13 | 3/4" | \$1.80 |
| B1213-100 | 1/2 x 13 | 1" | \$0.50 |
| B1213-112 | 1/2 x 13 | 1-1/2" | \$0.50 |
| B1213-20 | 1/2 x 13 | 2" | \$0.50 |
| B1231-25 | 1/2 x 13 | 2-1/2" | \$1.00 |
| B1213-30 | 1/2 x 13 | 3" | \$1.15 |
| B1213-35 | 1/2 x 13 | 3-1/2" | \$1.25 |
| B1213-40 | 1/2 x 13 | 4" | \$1.45 |
| B3410-30 | 3/4 x 10 | 3" | \$1.55 |
| B3410-35 | 3/4 x 10 | 3-1/2" | \$1.50 |

| PART # | Thread Size | Length (under head) | PRICE |
|----------|-------------|---------------------|--------|
| B3410-40 | 3/4 x 10 | 4" | \$1.75 |
| B3410-45 | 3/4 x 10 | 4-1/2" | \$1.95 |
| B3410-50 | 3/4 x 10 | 5" | \$2.50 |
| B3410-55 | 3/4 x 10 | 5-1/2" | \$3.00 |
| B3410-70 | 3/4 x 10 | 7" | \$3.50 |
| B5811-35 | 5/8 x 11 | 3-1/2" | \$1.25 |
| B5811-40 | 5/8 x 11 | 4" | \$1.50 |
| B5811-45 | 5/8 x 11 | 4-1/2" | \$1.65 |
| B5811-50 | 5/8 x 11 | 5" | \$2.00 |
| B5811-70 | 5/8 x 11 | 7" | \$2.50 |
| B1080-45 | 1 x 8 | 4-1/2" | \$3.00 |
| B1080-55 | 1 x 8 | 5-1/2" | \$3.50 |
| B1080-60 | 1 x 8 | 6" | \$4.25 |
| B1147-45 | 1-1/4 x 7 | 4-1/2" | \$7.00 |
| B1147-55 | 1-1/4 x 7 | 5-1/2" | \$7.50 |
| B1147-60 | 1-1/4 x 7 | 6" | \$8.00 |
| B1147-70 | 1-1/4 x 7 | 7" | \$8.50 |

Metric Grade 8 Hex Head Bolts

| PART # | Thread Size | Length (under head) | PRICE |
|-------------|-------------|---------------------|--------|
| MB12175-55 | M12 x 1.75 | 55MM(2.16") | \$1.75 |
| MB12175-65 | M12 x 1.75 | 65MM(2.55") | \$1.75 |
| MB12175-85 | M12 x 1.75 | 85MM(3.34") | \$1.95 |
| MB12175-90 | M12 x 1.75 | 90MM(3.54") | \$2.15 |
| MB12175-100 | M12 x 1.75 | 100MM(3.93") | \$2.35 |

| PART # | Thread Size | Length (under head) | PRICE |
|---------------|-------------|---------------------|--------|
| MB1217510-100 | M12 x 1.75 | 110MM(4.33") | \$2.75 |
| MB16200-80 | M16 x 2 | 80MM(3.14") | \$1.75 |
| MB16200-90 | M16 x 2 | 90MM(3.54") | \$2.25 |
| MB16200100 | M16 x 2 | 100MM(3.93") | \$2.50 |
| MB16200160 | M16 x 2 | 160MM(6.29") | \$4.25 |

Socket Head Grade 8 Bolts

| PART # | Thread Size | Length (under head) | PRICE |
|-----------|-------------|---------------------|--------|
| SH1213-25 | 1/2 x 13 | 2-1/2" | \$2.30 |
| SH1231-30 | 1/2 x 13 | 3" | \$2.50 |
| SH1231-40 | 1/2 x 13 | 4" | \$3.00 |
| SH1231-45 | 1/2 x 13 | 4-1/2" | \$3.50 |
| SH1231-60 | 1/2 x 13 | 6" | \$6.00 |
| SH5811-30 | 5/8 x 11 | 3" | \$1.50 |
| SH5811-35 | 5/8 x 11 | 3-1/2" | \$1.75 |
| SH5811-40 | 5/8 x 11 | 4" | \$1.85 |
| SH5811-45 | 5/8 x 11 | 4-1/2" | \$2.00 |
| SH5811-50 | 5/8 x 11 | 5" | \$2.50 |
| SH5811-55 | 5/8 x 11 | 5-1/2" | \$2.60 |

| PART # | Thread Size | Length (under head) | PRICE |
|-----------|-------------|---------------------|--------|
| SH5811-60 | 5/8 x 11 | 6" | \$2.80 |
| SH5811-65 | 5/8 x 11 | 6-1/2" | \$2.95 |
| SH3410-45 | 3/4 x 10 | 4-1/2" | \$3.00 |
| SH3410-50 | 3/4 x 10 | 5" | \$4.00 |
| SH3410-55 | 3/4 x 10 | 5-1/2" | \$5.25 |
| SH3410-60 | 3/4 x 10 | 6" | \$5.75 |
| SH3410-70 | 3/4 x 10 | 7" | \$6.00 |
| SH1080-45 | 1 x 8 | 4-1/2" | \$6.50 |
| SH1080-50 | 1 x 8 | 5" | \$7.00 |
| SH1080-60 | 1 x 8 | 6" | \$7.50 |
| SH1080-70 | 1 x 8 | 7" | \$8.50 |

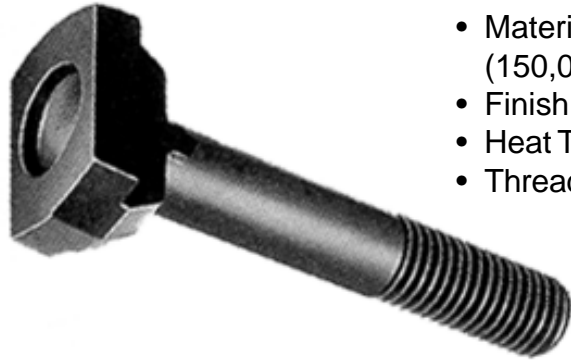
© 2009 MOLDERS CHOICE, Inc.



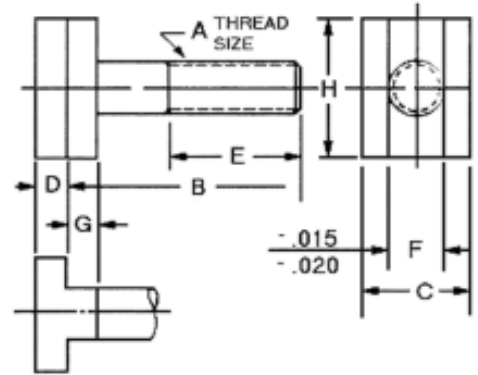
24 Hour Service - 7 Days a week
1-800-809-4623

WebSite: www.molderschoice.com • Email: molders@molderschoice.com

T-SLOT BOLTS



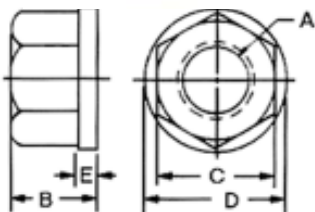
- Material: 4140 Forging (150,00 psi) Tensile(min)
- Finish: Black Oxide
- Heat Treat: Rc 34-38
- Thread: 2A-UNC



| PART # | Thread Size A | B | C | D | E | F | G | H | Wt. (LBS) | PRICE |
|------------|---------------|-------|---------|------|-------|-----|------|-------|-----------|---------|
| TSB1213-25 | 1/2-13 | 2-1/2 | 7/8 | 5/16 | 1-1/4 | 1/2 | 9/32 | 1-1/4 | .27 | \$10.00 |
| TSB1213-30 | 1/2-13 | 3 | 7/8 | 5/16 | 1-1/2 | 1/2 | 9/32 | 1-1/4 | .30 | \$12.00 |
| TSB1213-35 | 1/2-13 | 3-1/2 | 7/8 | 5/16 | 1-1/2 | 1/2 | 9/32 | 1-1/4 | .33 | \$14.00 |
| TSB1213-40 | 1/2-13 | 4 | 7/8 | 5/16 | 1-1/2 | 1/2 | 9/32 | 1-1/4 | .37 | \$16.00 |
| TSB5811-25 | 5/8-11 | 2-1/2 | 1-1/8 | 3/8 | 1-1/4 | 5/8 | 3/8 | 1-1/2 | .41 | \$15.00 |
| TSB5811-30 | 5/8-11 | 3 | 1-1/8 | 3/8 | 1-1/2 | 5/8 | 3/8 | 1-1/2 | .44 | \$17.00 |
| TSB5811-35 | 5/8-11 | 3-1/2 | 1-1/8 | 3/8 | 1-1/2 | 5/8 | 3/8 | 1-1/2 | .50 | \$19.00 |
| TSB5811-40 | 5/8-11 | 4 | 1-1/8 | 3/8 | 1-1/2 | 5/8 | 3/8 | 1-1/2 | .55 | \$22.00 |
| TSB5811-50 | 5/8-11 | 5 | 1-1/8 | 3/8 | 1-1/2 | 5/8 | 3/8 | 1-1/2 | .62 | \$24.00 |
| TSB5811-60 | 5/8-11 | 6 | 1-1/8 | 3/8 | 1-1/2 | 5/8 | 3/8 | 1-1/2 | .72 | \$26.00 |
| TSB3410-25 | 3/4-10 | 2-1/2 | 1-5/16 | 7/16 | 1-1/4 | 3/4 | 7/16 | 1-3/4 | .64 | \$14.00 |
| TSB3410-30 | 3/4-10 | 3 | 1-5/16 | 7/16 | 1-1/2 | 3/4 | 7/16 | 1-3/4 | .70 | \$16.00 |
| TSB3410-35 | 3/4-10 | 3-1/2 | 1-5/16 | 7/16 | 1-1/2 | 3/4 | 7/16 | 1-3/4 | .77 | \$18.00 |
| TSB3410-40 | 3/4-10 | 4 | 1-5/16 | 7/16 | 1-1/2 | 3/4 | 7/16 | 1-3/4 | .85 | \$20.00 |
| TSB3410-50 | 3/4-10 | 5 | 1-5/16 | 7/16 | 1-1/2 | 3/4 | 7/16 | 1-3/4 | .95 | \$26.00 |
| TSB3410-60 | 3/4-10 | 6 | 1-5/16 | 7/16 | 1-1/2 | 3/4 | 7/16 | 1-3/4 | 1.05 | \$30.00 |
| TSB1080-35 | 1-8 | 3-1/2 | 1-11/16 | 1/2 | 2 | 1 | 1/2 | 2-1/4 | 1.25 | \$27.00 |
| TSB1080-40 | 1-8 | 4 | 1-11/16 | 1/2 | 2 | 1 | 1/2 | 2-1/4 | 1.50 | \$27.00 |
| TSB1080-45 | 1-8 | 4-1/2 | 1-11/16 | 1/2 | 2-1/2 | 1 | 1/2 | 2-1/4 | 1.62 | \$29.00 |
| TSB1080-50 | 1-8 | 5 | 1-11/16 | 1/2 | 2-1/2 | 1 | 1/2 | 2-1/4 | 1.75 | \$29.00 |
| TSB1080-60 | 1-8 | 6 | 1-11/16 | 1/2 | 2-1/2 | 1 | 1/2 | 2-1/4 | 2.00 | \$35.00 |



FLANGE NUTS



| PART # | Size A | B | C | D | E | Wt. (LBS) | PRICE |
|--------|--------|-------|--------|-------|------|-----------|--------|
| FN1213 | 1/2-13 | 11/16 | 7/8 | 1-1/8 | 5/32 | 1.10 | \$3.00 |
| FN5811 | 5/8-11 | 13/16 | 1-1/16 | 1-3/8 | 3/16 | 1.75 | \$3.25 |
| FN3410 | 3/4-10 | 1 | 1-1/4 | 1-5/8 | 1/4 | 3.20 | \$4.50 |
| FN1080 | 1-8 | 1-1/4 | 1-5/8 | 2 | 1/4 | 6.00 | \$7.00 |

© 2009 MOLDERS CHOICE, Inc.



24 Hour Service - 7 Days a week
1-800-809-4623
 WebSite: www.molderschoice.com • Email: molders@molderschoice.com