

# EJECTOR BARS

Reduce mold and machine damage caused by uneven ejector bars

Drilled and tapped for 1/2"-13 positive ejector plate return bolts (both ends)

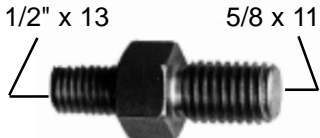
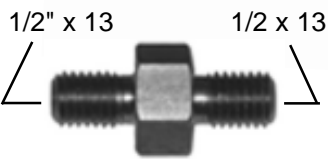
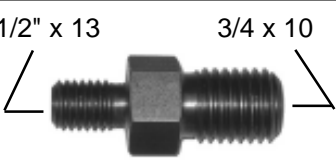
- Adjustable
- Heavy-duty design
- Easy to install

Heavy Duty 7/8" Hex Bar makes tightening easy

Jam nuts ensure length integrity

Threaded rod with nuts allows proper bar adjustment

## ADAPTORS

 <p>1/2" x 13      5/8" x 11</p> <p>Part # <b>QSA</b></p>
 <p>1/2" x 13      1/2" x 13</p> <p>Part # <b>QSA12</b></p>
 <p>1/2" x 13      3/4" x 10</p> <p>Part # <b>QSA34</b></p>

## 5 Adjustable sizes

PART #	Range	PRICES			
		1	2 - 4	5 - 9	10 +
<b>QS810</b>	8" to 10.5"	<b>\$48.00</b>	<b>\$46.16</b>	<b>\$45.24</b>	<b>\$44.32</b>
<b>QS1012</b>	10" to 12.5"	<b>\$50.00</b>	<b>\$48.08</b>	<b>\$47.12</b>	<b>\$46.16</b>
<b>QS1214</b>	12" to 14.5"	<b>\$52.00</b>	<b>\$50.00</b>	<b>\$49.00</b>	<b>\$48.00</b>
<b>QS1416</b>	14" to 16.5"	<b>\$56.00</b>	<b>\$52.84</b>	<b>\$52.76</b>	<b>\$49.68</b>
<b>QS1618</b>	16" to 18.5"	<b>\$60.00</b>	<b>\$57.68</b>	<b>\$56.52</b>	<b>\$55.36</b>
ADAPTORS					
<b>QSA</b>	Adaptor 1/2" x 13 to 5/8" x 11				<b>\$15.00</b>
<b>QSA12</b>	Adaptor 1/2" x 13 to 1/2" x 13				<b>\$15.00</b>
<b>QSA34</b>	Adpator 1/2" x 13 to 3/4" x 10				<b>\$15.00</b>

*Lengths not listed above may be ordered . . . Inquire*

© 2009 MOLDERS CHOICE, Inc.



24 Hour Service - 7 Days a week  
**1-800-809-4623**  
 WebSite: [www.molderschoice.com](http://www.molderschoice.com) • Email: [molders@molderschoice.com](mailto:molders@molderschoice.com)