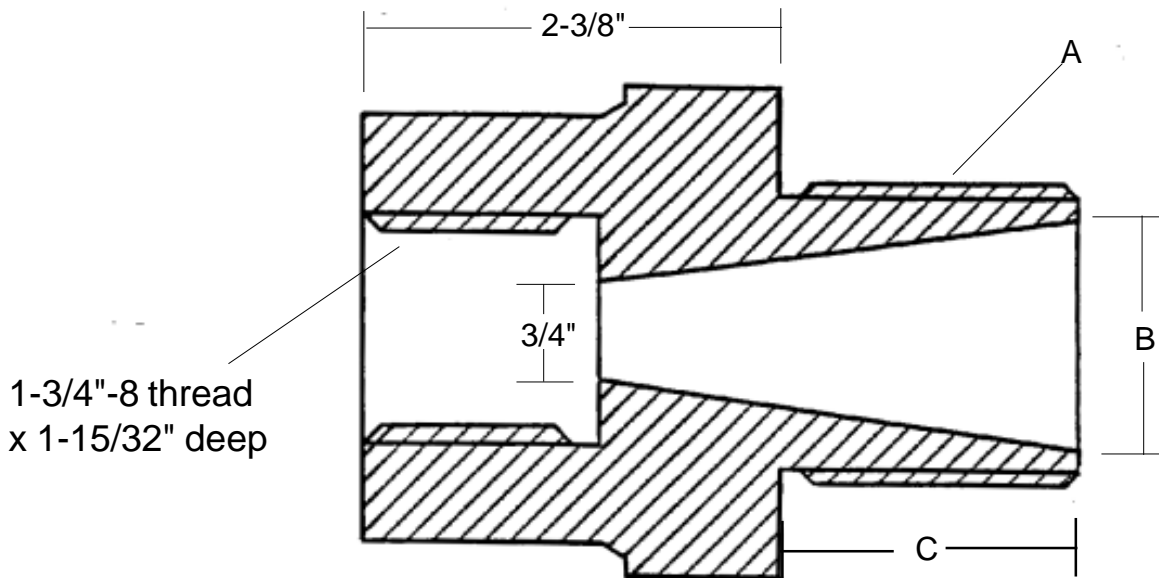


NOZZLE ADAPTERS

Adapts your Nozzle machine thread to industry standard
1-3/4"-8 Thread, 3/4" rear opening

Standardize your imported machines to popular American thread
Use only 1 size Nozzle throughout your plant
regardless of machine make, size, etc.!

*Save Time
and most importantly
Save Money!*



All adaptors accept a
2-1/2" I.D. x 1-1/2" wide Heater Band
- Not included-

ADVISE:

- A - Thread Size
 - B - Rear Opening
 - C - Length of Thread
 - D - Machine Make
 - E - Heater Band
- Voltage if needed
120 or 240 volts

Reduce your Nozzle inventory drastically

Call NOW to order your Nozzle Adapter!

© 2009 MOLDERS CHOICE, Inc.



24 Hour Service - 7 Days a week
1-800-809-4623
 WebSite: www.molderschoice.com • Email: molders@molderschoice.com