

# 100 LB RESIN HANDLING BIN

IDEAL FOR STORING / UNLOADING:

- MASTERBATCH MATERIALS
- SHORT RUN RESINS
- BIGGER MATERIAL RESINS

**IN STOCK**

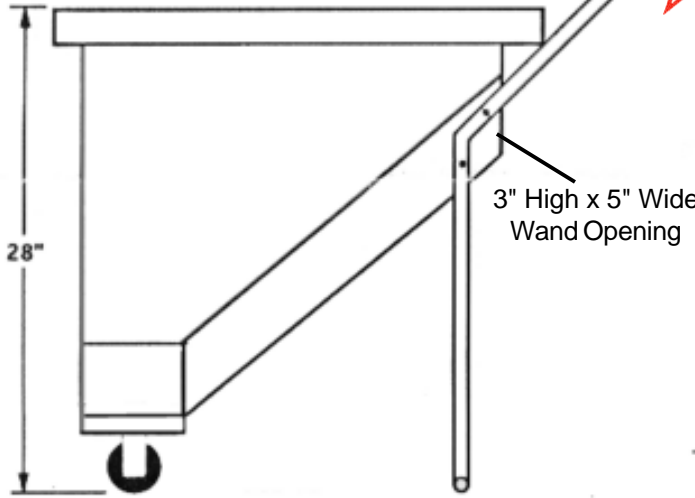
# DISCONTINUED



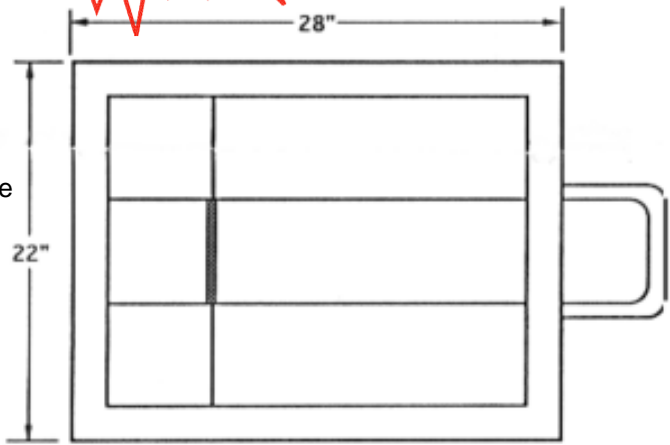
MINI SELF-EMPTYING RESIN HANDLING BINS are designed for use with vacuum loading systems using pickup wands. An angled chute directs the vacuum wand to the lowest point in the bin, where gravity feeds the resin to the wand. Bins are made of HDPE and include transport handle, casters and a lid.

Bin Capacity: approx. 110 lbs. (50 kgs.) or 2.86 cu. ft.

**Molded with FDA Approved Resin, Also includes Anti Static Adder**



SIDE VIEW



TOP VIEW

PART #	PRICE

© 2009 MOLDERS CHOICE, Inc.



24 Hour Service - 7 Days a week  
**1-800-809-4623**  
 WebSite: [www.molderschoice.com](http://www.molderschoice.com) • Email: [molders@molderschoice.com](mailto:molders@molderschoice.com)