

# INJECTION END PARTS & ACCESSORIES



Nozzle Band Heaters  
 KeyLock Bands  
 Sealed Metric Bands  
 Mica Bands  
 Ceramic Bands  
 Cartridge Heaters  
 Wire  
 Barrel Blankets



Thermocouples:  
 Bayonet  
 Vari-Depth  
 Nozzle  
 Compression



Feed Throat Temperature Controller  
 Sprue Bushing Coil Heaters  
 Thermometers  
 Barrel Heat Control  
 Temperature Controls



**24  
 Hour  
 Service  
 7 Days a week**

**1-800-809-4623**

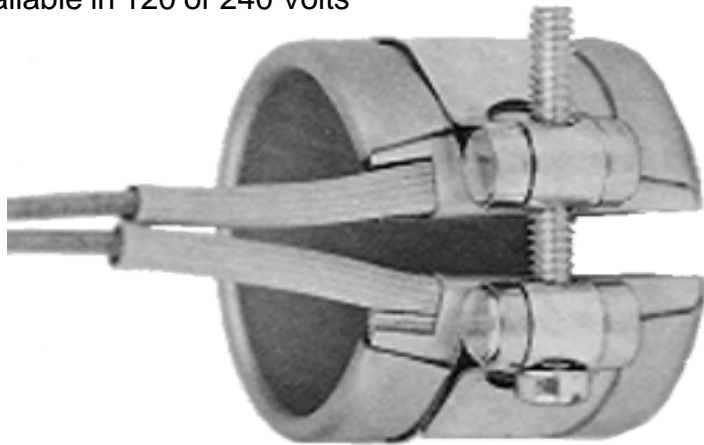
Website: [www.molderschoice.com](http://www.molderschoice.com)  
 E-mail: [molders@molderschoice.com](mailto:molders@molderschoice.com)  
 (U.S.A. - Canada - Caribbean)



# NOZZLE HEATER BANDS

## 12" STANDARD FLEXIBLE LEADS

Available in 120 or 240 Volts



- Superior Mica Construction
- Flange Lock-Up
- Strain relief for ultimate lead protection



Part No.	Standard		Metric		Watts	Volts	Quantity Prices		
	Dia. (in)	Width (in)	Dia. (mm)	Width (mm)			1-12	13-24	25+
HBS001	7/8"	1"	22	25	75	120	\$14.00	\$13.67	\$12.90
HBS002	7/8"	1"	22	25	75	240	\$14.00	\$13.67	\$12.90
HBS003	7/8"	1-1/4"	22	32	90	120	\$14.00	\$13.67	\$12.90
HBS004	7/8"	1-1/4"	22	32	90	240	\$14.00	\$13.67	\$12.90
HBS005	7/8"	1-1/2"	22	38	100	120	\$14.00	\$13.67	\$12.90
HBS006	7/8"	1-1/2"	22	38	100	240	\$14.00	\$13.67	\$12.90
HBS007	1"	1"	25	25	100	120	\$15.00	\$13.64	\$13.80
HBS008	1"	1"	25	25	100	240	\$15.00	\$13.64	\$13.80
HBS009	1"	1-1/2"	25	25	150	120	\$15.00	\$13.64	\$13.80
HBS010	1"	1-1/2"	25	38	150	240	\$15.00	\$13.64	\$13.80
HBS011	1"	2"	25	50	200	120	\$15.00	\$13.64	\$13.80
HBS012	1"	2"	25	50	200	240	\$15.00	\$13.64	\$13.80
HBS013	1"	2-1/2"	25	63.5	250	120	\$15.40	\$15.03	\$14.16
HBS014	1"	2-1/2"	25	63.5	250	240	\$15.40	\$15.03	\$14.16
HBS015	1"	3"	25	76	300	120	\$15.40	\$15.03	\$14.16
HBS016	1"	3"	25	76	300	240	\$16.00	\$15.61	\$14.70
HBS017	1"	4"	25	101	400	120	\$17.00	\$15.61	\$14.70
HBS018	1"	4"	25	101	400	240	\$17.00	\$16.58	\$15.60
HBS019	1"	5"	25	127	500	120	\$18.00	\$17.55	\$16.50
HBS020	1"	5"	25	127	500	240	\$18.00	\$17.55	\$16.50
HBS021	1-1/4"	1"	32	25	125	120	\$15.00	\$14.64	\$13.80
HBS022	1-1/4"	1"	32	25	125	240	\$15.00	\$14.64	\$13.80
HBS023	1-1/4"	1-1/2"	32	38	200	120	\$15.00	\$14.64	\$13.80
HBS024	1-1/4"	1-1/2"	32	38	200	240	\$15.00	\$14.64	\$13.80
HBS025	1-1/4"	2"	32	50	250	120	\$15.00	\$14.64	\$13.80
HBS026	1-1/4"	2"	32	50	250	240	\$15.00	\$14.64	\$13.80
HBS027	1-1/4"	3"	32	76	400	120	\$16.00	\$15.60	\$14.70
HBS028	1-1/4"	3"	32	76	400	240	\$16.00	\$15.60	\$14.70

© 2009 MOLDERS CHOICE, Inc.



24 Hour Service - 7 Days a week

**1-800-809-4623**

WebSite: [www.molderschoice.com](http://www.molderschoice.com) • Email: [molders@molderschoice.com](mailto:molders@molderschoice.com)

# NOZZLE HEATER BANDS

Part No.	Standard		Metric		Watts	Volts	Quantity Prices		
	Dia. (in)	Width (in)	Dia. (mm)	Width (mm)			1-12	13-24	25+
HBS029	1-3/8"	1"	35	25	150	120	\$15.00	\$14.64	\$13.80
HBS030	1-3/8"	1"	35	25	150	240	\$15.00	\$14.64	\$13.80
HBS031	1-3/8"	1-1/2"	35	38	200	120	\$15.00	\$14.64	\$13.80
HBS032	1-3/8"	1-1/2"	35	38	200	240	\$15.00	\$14.64	\$13.80
HBS033	1-3/8"	2"	35	50	300	120	\$15.00	\$14.64	\$13.80
HBS034	1-3/8"	2"	35	50	300	240	\$15.00	\$14.64	\$13.80
HBS035	1-1/2"	5/8"	38	16	100	120	\$15.00	\$14.64	\$13.80
HBS036	1-1/2"	5/8"	38	16	100	240	\$15.00	\$14.64	\$13.80
HBS037	1-1/2"	1"	38	25	150	120	\$15.00	\$14.64	\$13.80
HBS038	1-1/2"	1"	38	25	150	240	\$15.00	\$14.64	\$13.80
HBS039	1-1/2"	1-1/2"	38	38	250	120	\$15.00	\$14.64	\$13.80
HBS040	1-1/2"	1-1/2"	38	38	250	240	\$15.00	\$14.64	\$13.80
HBS041	1-1/2"	2"	38	50	300	120	\$15.00	\$14.64	\$13.80
HBS042	1-1/2"	2"	38	50	300	240	\$15.00	\$14.64	\$13.80
HBS043	1-1/2"	2-1/2"	38	63.5	350	120	\$15.40	\$15.03	\$14.16
HBS044	1-1/2"	2-1/2"	38	63.5	350	240	\$15.40	\$15.03	\$14.16
HBS045	1-1/2"	3"	38	76	450	120	\$16.00	\$15.61	\$14.70
HBS046	1-1/2"	3"	38	76	450	240	\$16.00	\$15.61	\$14.70
HBS047	1-1/2"	4"	38	101	600	120	\$17.00	\$16.58	\$15.60
HBS048	1-1/2"	4"	38	101	600	240	\$17.00	\$16.58	\$15.60
HBS049	1-1/2"	5"	38	127	750	120	\$18.00	\$17.55	\$16.50
HBS050	1-1/2"	5"	38	127	750	240	\$18.00	\$17.55	\$16.50
HBS051	1-1/2"	6"	38	152	850	120	\$19.00	\$18.91	\$17.76
HBS052	1-1/2"	6"	38	152	750	240	\$19.00	\$18.91	\$17.76
HBS053	1-3/4"	1"	44.5	25	175	120	\$15.00	\$14.64	\$13.80
HBS054	1-3/4"	1"	44.5	25	175	240	\$15.00	\$14.64	\$13.80
HBS055	1-3/4"	1-1/2"	44.5	38	250	120	\$15.00	\$14.64	\$13.80
HBS056	1-3/4"	1-1/2"	44.5	38	250	240	\$15.00	\$14.64	\$13.80
HBS057	1-3/4"	2"	44.5	50	350	120	\$15.20	\$14.83	\$13.98
HBS058	1-3/4"	2"	44.5	50	350	240	\$15.20	\$14.83	\$13.98
HBS059	1-3/4"	3"	44.5	76	500	120	\$17.00	\$16.58	\$15.60
HBS060	1-3/4"	3"	44.5	76	500	240	\$17.00	\$16.58	\$15.60
HBS061	1-3/4"	4"	44.5	101	700	120	\$17.00	\$16.58	\$15.60
HBS062	1-3/4"	4"	44.5	101	700	240	\$17.00	\$16.58	\$15.60
HBS063	1-3/4"	5"	44.5	127	900	120	\$19.00	\$18.52	\$17.40
HBS064	1-3/4"	5"	44.5	127	900	240	\$19.00	\$18.52	\$17.40
HBS065	1-3/4"	6"	44.5	127	1000	120	\$20.00	\$19.49	\$18.30
HBS066	1-3/4"	6"	44.5	152	1000	240	\$20.00	\$19.49	\$18.30
HBS067	2"	1"	50	25	200	120	\$15.00	\$14.64	\$13.80
HBS068	2"	1"	50	25	200	240	\$15.00	\$14.64	\$13.80
HBS069	2"	1-1/2"	50	38	300	120	\$15.00	\$14.64	\$13.80
HBS070	2"	1-1/2"	50	38	300	240	\$15.00	\$14.64	\$13.80
HBS071	2"	2"	50	50	400	120	\$15.20	\$14.83	\$13.98
HBS072	2"	2"	50	50	400	240	\$15.20	\$14.83	\$13.98
HBS073	2"	2-1/2"	50	63.5	500	120	\$16.00	\$15.61	\$14.70
HBS074	2"	2-1/2"	50	63.5	500	240	\$16.00	\$15.61	\$14.70
HBS075	2"	3"	50	76	600	120	\$16.00	\$15.61	\$14.70

© 2009 MOLDERS CHOICE, Inc.



24 Hour Service - 7 Days a week

# 1-800-809-4623

 WebSite: [www.molderschoice.com](http://www.molderschoice.com) • Email: [molders@molderschoice.com](mailto:molders@molderschoice.com)

# NOZZLE HEATER BANDS

Part No.	Standard		Metric		Watts	Volts	Quantity Prices		
	Dia. (in)	Width (in)	Dia. (mm)	Width (mm)			1-12	13-24	25+
HBS076	2"	3"	50	76	600	240	\$17.00	\$16.58	\$15.60
HBS077	2"	4"	50	101	800	120	\$17.00	\$16.58	\$15.60
HBS078	2"	4"	50	101	800	240	\$17.00	\$16.58	\$15.60
HBS079	2"	5"	50	127	1000	120	\$19.00	\$18.52	\$17.40
HBS080	2"	5"	50	127	1000	240	\$19.00	\$18.52	\$17.40
HBS081	2"	6"	50	152	1200	120	\$20.00	\$19.49	\$18.30
HBS082	2"	6"	50	152	1200	240	\$20.00	\$19.49	\$18.30
HBS083	2-1/8"	1"	54	25	200	120	\$15.00	\$14.64	\$13.80
HBS084	2-1/8"	1"	54	25	200	240	\$15.00	\$14.64	\$13.80
HBS085	2-1/8"	1-1/2"	54	38	300	120	\$15.00	\$14.64	\$13.80
HBS086	2-1/8"	1-1/2"	54	38	300	240	\$15.00	\$14.64	\$13.80
HBS087	2-1/8"	2"	54	50	400	120	\$15.40	\$15.03	\$14.16
HBS088	2-1/8"	2"	54	50	400	240	\$15.40	\$15.03	\$14.16
HBS089	2-1/8"	3"	54	75	600	120	\$16.60	\$16.19	\$15.24
HBS090	2-1/8"	3"	54	76	600	240	\$16.60	\$16.19	\$15.24
HBS091	2-1/4"	1"	57	25	225	120	\$15.00	\$14.64	\$13.80
HBS092	2-1/4"	1"	57	25	225	240	\$15.00	\$14.64	\$13.80
HBS093	2-1/4"	1"	57	38	350	120	\$15.00	\$14.64	\$13.80
HBS094	2-1/4"	1-1/2"	57	38	350	240	\$15.00	\$14.64	\$13.80
HBS095	2-1/4"	2"	57	50	450	120	\$15.40	\$15.03	\$14.16
HBS096	2-1/4"	2"	57	50	450	240	\$15.40	\$15.03	\$14.16
HBS097	2-1/4"	2-1/2"	57	63.5	600	120	\$16.00	\$15.61	\$14.70
HBS098	2-1/4"	2-1/2"	57	63.5	600	240	\$16.00	\$15.61	\$14.70
HBS099	2-1/4"	3"	57	76	700	120	\$16.60	\$16.19	\$15.24
HBS100	2-1/4"	3"	57	76	700	240	\$16.60	\$16.19	\$15.24
HBS101	2-3/8"	1"	60	25	250	120	\$15.00	\$14.64	\$13.80
HBS102	2-3/8"	1"	60	25	250	240	\$15.00	\$14.64	\$13.80
HBS103	2-3/8"	1-1/2"	60	38	400	120	\$17.00	\$16.58	\$15.60
HBS104	2-3/8"	1-1/2"	60	38	400	240	\$17.00	\$16.58	\$15.60
HBS105	2-1/2"	1"	63.5	25	250	120	\$15.00	\$14.64	\$13.80
HBS106	2-1/2"	1"	63.5	25	250	240	\$15.00	\$14.64	\$13.80
HBS107	2-1/2"	1-1/2"	63.5	38	375	120	\$15.20	\$14.83	\$13.98
HBS108	2-1/2"	1-1/2"	63.5	38	375	240	\$15.20	\$14.83	\$13.98
HBS109	2-1/2"	2"	63.5	50	500	120	\$15.40	\$15.03	\$14.16
HBS110	2-1/2"	2"	63.5	50	500	240	\$15.40	\$15.03	\$14.16
HBS111	2-1/2"	3"	63.5	76	750	120	\$16.00	\$15.61	\$14.70
HBS112	2-1/2"	3"	63.5	76	750	240	\$16.00	\$15.61	\$14.70
HBS113	2-3/4"	1-1/2"	63.5	38	400	120	\$17.00	\$16.50	\$16.00
HBS114	2-3/4"	1-1/2"	63.5	38	400	240	\$17.00	\$16.50	\$16.00
HBS115	3"	1"	76	25	300	120	\$17.00	\$16.50	\$16.00
HBS116	3"	1"	76	25	300	240	\$17.00	\$16.50	\$16.00
HBS117	3"	1-1/2"	76	38	450	120	\$17.50	\$17.00	\$16.50
HBS118	3"	1-1/2"	76	38	450	240	\$17.50	\$17.00	\$16.50
HBS119	3"	2"	76	50	600	120	\$18.00	\$17.50	\$17.00
HBS120	3"	2"	76	50	600	240	\$18.00	\$17.50	\$17.00

© 2009 MOLDERS CHOICE, Inc.



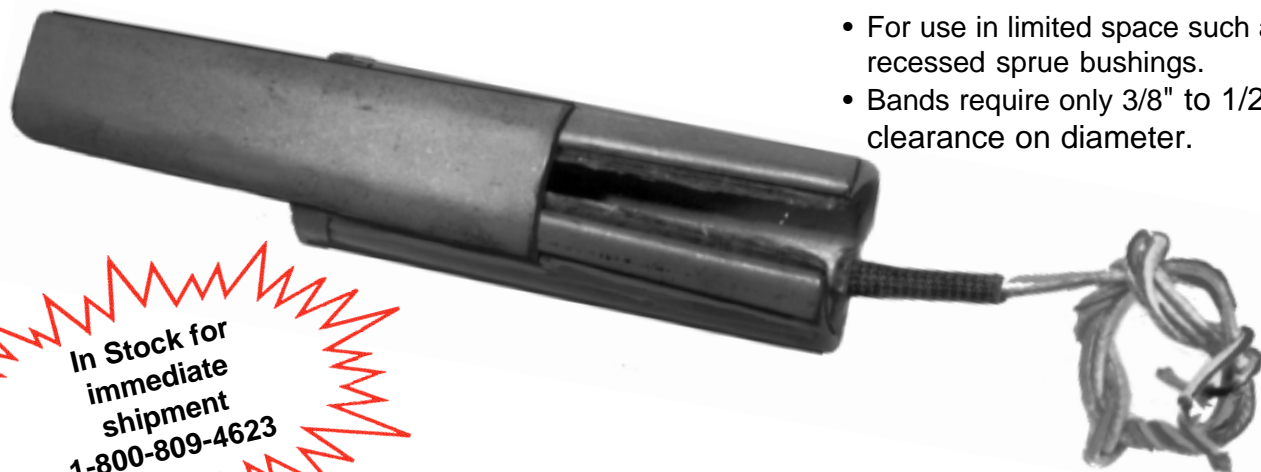
24 Hour Service - 7 Days a week

# 1-800-809-4623

 WebSite: [www.molderschoice.com](http://www.molderschoice.com) • Email: [molders@molderschoice.com](mailto:molders@molderschoice.com)

# KEYLOCK NOZZLE BANDS

12" FLEX LEADS extend 180° from heater band opening



- For use in limited space such as recessed sprue bushings.
- Bands require only 3/8" to 1/2" clearance on diameter.

In Stock for  
immediate  
shipment  
1-800-809-4623

PART #	SIZE	VOLTS	WATTS	Quantity Prices		
				1 - 9	13 - 24	25 +
HBW001	1X1	120	100	\$34.00	\$32.00	\$30.00
HBW002	1X1	240	100	\$34.00	\$32.00	\$30.00
HBW003	1X1-1/2	120	150	\$34.00	\$32.00	\$30.00
HBW004	1X1-1/2	240	150	\$34.00	\$32.00	\$30.00
HBW005	1X2	120	200	\$35.00	\$33.00	\$31.00
HBW006	1X2	240	200	\$35.00	\$33.00	\$31.00
HBW007	1X2-1/2	120	250	\$40.00	\$38.00	\$36.00
HBW008	1X2-1/2	240	250	\$40.00	\$38.00	\$36.00
HBW009	1X3	120	300	\$42.00	\$40.00	\$38.00
HBW010	1X3	240	300	\$42.00	\$40.00	\$38.00
HBW011	1X4	120	400	\$46.00	\$44.00	\$42.00
HBW012	1X4	240	400	\$46.00	\$44.00	\$42.00
HBW013	1-1/4X1	120	125	\$30.00	\$28.00	\$26.00
HBW014	1-1/4X1	240	125	\$30.00	\$28.00	\$26.00
HBW015	1-1/4X1-1/2	120	200	\$30.00	\$28.00	\$26.00
HBW016	1-1/4X1-1/2	240	200	\$30.00	\$28.00	\$26.00
HBW017	1-1/4X2	120	250	\$32.00	\$30.00	\$28.00
HBW018	1-1/4X2	240	250	\$32.00	\$30.00	\$28.00
HBW019	1-1/4X3	120	400	\$37.00	\$35.00	\$33.00
HBW020	1-1/4X3	240	400	\$37.00	\$35.00	\$33.00
HBW021	1-1/2X1	120	150	\$30.00	\$28.00	\$26.00
HBW022	1-1/2X1	240	150	\$30.00	\$28.00	\$26.00
HBW023	1-1/2X1-1/2	120	250	\$30.00	\$28.00	\$26.00
HBW024	1-1/2X1-1/2	240	250	\$30.00	\$28.00	\$26.00
HBW025	1-1/2X2	120	300	\$30.00	\$28.00	\$26.00
HBW026	1-1/2X2	240	300	\$30.00	\$28.00	\$26.00
HBW027	1-1/2X2-1/2	120	350	\$35.00	\$33.00	\$31.00
HBW028	1-1/2X2-1/2	240	350	\$35.00	\$33.00	\$31.00
HBW029	1-1/2X3	120	450	\$37.00	\$35.00	\$33.00
HBW030	1-1/2X3	240	450	\$37.00	\$35.00	\$33.00
HBW031	1-1/2X4	120	600	\$41.00	\$39.00	\$37.00
HBW032	1-1/2X4	240	600	\$41.00	\$39.00	\$37.00
HBW033	1-1/2X5	120	750	\$46.00	\$44.00	\$42.00
HBW034	1-1/2X5	240	750	\$46.00	\$44.00	\$42.00

© 2009 MOLDERS CHOICE, Inc.



24 Hour Service - 7 Days a week

**1-800-809-4623**

WebSite: [www.molderschoice.com](http://www.molderschoice.com) • Email: [molders@molderschoice.com](mailto:molders@molderschoice.com)

# SEALED METRIC HEATER BANDS

Metric heater bands for off-shore machine makers such as:  
ARBURG, BATTENFELD, BOY, DEMAG, ENGEL, KRAUS-MAFFEI, etc.  
MOLDERS CHOICE sealed bands are MICA-insulated, Brass Encased  
and Hermetically Sealed for Longest life!



## - ADVANTAGES -

- CORROSION- PROOF CONSTRUCTION
- LONGER LIFE
- QUICKER HEAT TRANSFER
- HIGH WATT DENSITY
- STAINLESS STEEL, BRAIDED LEAD EXIT AT 30° ANGLE
- NICKEL COATED, SELF LOCKING NUT
- UNIFORM SURFACE FOR TOTAL CONTACT



© 2009 MOLDERS CHOICE, Inc.

24 Hour Service - 7 Days a week

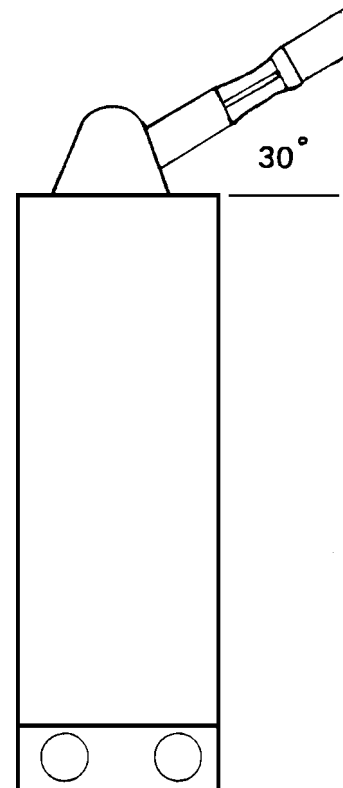
**1-800-809-4623**

WebSite: [www.molderschoice.com](http://www.molderschoice.com) • Email: [molders@molderschoice.com](mailto:molders@molderschoice.com)

# SEALED METRIC NOZZLE BANDS

PART #	Size (mm)		Size (In.)		Volts	Watts	Lead Length	PRICE
	I.D.	Width	I.D.	Width				
HBSM001	25	25	1"	1"	240	85	20"	\$50.00
HBSM002	25	50	1"	2"	240	225	20"	\$50.00
HBSM003	30	25	1-3/16"	1"	240	110	20"	\$50.00
HBSM004	30	30	1-3/16"	1-3/16"	240	135	20"	\$50.00
HBSM005	30	38	1-3/16"	1-1/2"	240	185	40"	\$50.00
HBSM006	35	20	1-3/8"	3/4"	240	96	48"	\$50.00
HBSM007	35	25	1-3/8"	1"	240	125	40"	\$50.00
HBSM008	25	25	1-3/8"	1"	240	125	60"	\$50.00
HBSM009	35	30	1-3/8"	1-3/16"	240	155	20"	\$50.00
HBSM010	35	38	1-3/8"	1-1/2"	240	210	20"	\$50.00
HBSM011	38	25	1-1/2"	1"	240	140	20"	\$50.00
HBSM012	38	38	1-1/2"	1-1/2"	240	175	20"	\$50.00
HBSM013	38	38	1-1/2"	1-1/2"	240	235	20"	\$50.00
HBSM014	38	50	1-1/2"	2"	240	345	20"	\$50.00
HBSM015	40	20	1-9/16"	3/4"	240	125	40"	\$50.00
HBSM016	40	25	1-9/16"	1"	240	160	40"	\$50.00
HBSM017	40	30	1-9/16"	1-3/16"	240	200	20"	\$50.00
HBSM018	40	35	1-9/16"	1-3/8"	240	235	20"	\$50.00
HBSM019	40	35	1-9/16"	1-3/8"	240	235	40"	\$50.00
HBSM020	40	38	1-9/16"	1-1/2"	240	270	20"	\$50.00
HBSM021	40	38	1-9/16"	1-1/2"	240	270	20"	\$50.00
HBSM022	40	50	1-9/16"	2"	240	345	20"	\$50.00
HBSM023	45	20	1-3/4"	3/4"	240	125	20"	\$50.00
HBSM024	45	25	1-3/4"	1"	240	160	20"	\$50.00
HBSM025	45	30	1-3/4"	1-3/16"	240	200	20"	\$50.00
HBSM026	45	38	1-3/4"	1-1/2"	240	300	20"	\$50.00
HBSM027	48	20	1-7/8"	3/4"	240	135	40"	\$50.00
HBSM028	50	25	2"	1"	240	185	40"	\$50.00
HBSM029	50	34	2"	1-11/32"	240	310	32"	\$50.00
HBSM030	50	35	2"	1-3/8"	240	270	20"	\$50.00
HBSM031	50	35	2"	1-3/8"	240	270	32"	\$50.00
HBSM032	50	35	2"	1-3/8"	240	270	40"	\$50.00
HBSM033	50	38	2"	1-1/2"	240	310	40"	\$50.00
HBSM034	55	20	2-5/32"	3/4"	240	155	40"	\$50.00
HBSM035	55	25	2-5/32"	1"	240	200	40"	\$50.00
HBSM036	58	38	2-1/4"	1-1/2"	240	360	20"	\$56.00
HBSM037	58	38	2-1/4"	1-1/2"	240	360	40"	\$56.00
HBSM038	60	20	2-3/8"	3/4"	240	170	40"	\$56.00
HBSM039	60	25	2-3/8"	1"	240	220	20"	\$56.00
HBSM040	60	30	2-3/8"	1-3/16"	240	275	20"	\$56.00
HBSM041	60	38	2-3/8"	1-1/2"	240	375	20"	\$56.00
HBSM042	60	45	2-3/8"	1-3/4"	240	425	32"	\$56.00
HBSM043	65	20	2-1/2"	3/4"	240	185	40"	\$68.00
HBSM044	65	25	2-1/2"	1"	240	240	20"	\$68.00
HBSM045	70	35	2-3/4"	1-3/8"	240	380	20"	\$68.00
HBSM046	70	38	2-3/4"	1-1/2"	240	440	40"	\$68.00
HBSM047	75	30	3"	1-3/16"	240	340	40"	\$68.00
HBSM048	80	30	3-5/32"	1-3/16"	240	365	20"	\$68.00
HBSM049	80	35	3-5/32"	1-3/8"	240	435	20"	\$68.00
HBSM050	80	38	3-5/32"	1-1/2"	240	500	20"	\$68.00
HBSM051	80	38	3-5/32"	1-1/2"	240	500	40"	\$68.00
HBSM052	80	45	3-5/32"	1-3/4"	240	570	20"	\$68.00
HBSM053	90	30	3-9/16"	1-3/16"	240	415	40"	\$68.00
HBSM054	90	45	3-9/16"	1-3/4"	240	645	40"	\$68.00
HBSM055	95	58	3-3/4"	2-1/4"	240	830	40"	\$68.00
HBSM056	100	30	3-15/16"	1-3/16"	240	460	20"	\$68.00
HBSM057	100	60	3-15/16"	2-3/8"	240	970	20"	\$68.00

**ALL  
BANDS  
ARE  
240 VOLT**



- MICA INSULATED
- BRASS ENCASED
- HERMETICALLY SEALED FOR LONG LIFE
- PREVENT PLASTIC CONTAMINATION

© 2009 MOLDERS CHOICE, Inc.



24 Hour Service - 7 Days a week

**1-800-809-4623**

WebSite: [www.molderschoice.com](http://www.molderschoice.com) • Email: [molders@molderschoice.com](mailto:molders@molderschoice.com)

# Mica Insulated BARREL BANDS

## Top-Quality Bands to Fit Your Specifications

Stop overpaying the press makers for barrel bands.

**In 24 Hours**

Specializing in foreign-press bands.

You can't do better than to call **MOLDERS CHOICE**

- Top Quality
- Good Pricing
- Good Availability – Popular sizes in stock. Anything else in 24 hours.



- One-Piece, Two-Piece or Hinged Two-Piece
- Strap or Flange Lockup
- Thermocouple Holes Located per Your Specification
- Post Terminal or Hard Wired Leads (Flexible, Sleeve, Armored, Plug-Terminated, etc. specify length of leads)



To order, call us or fill out our Special Order Heater Band and Thermocouple order sheet found on page 61 of this catalog.

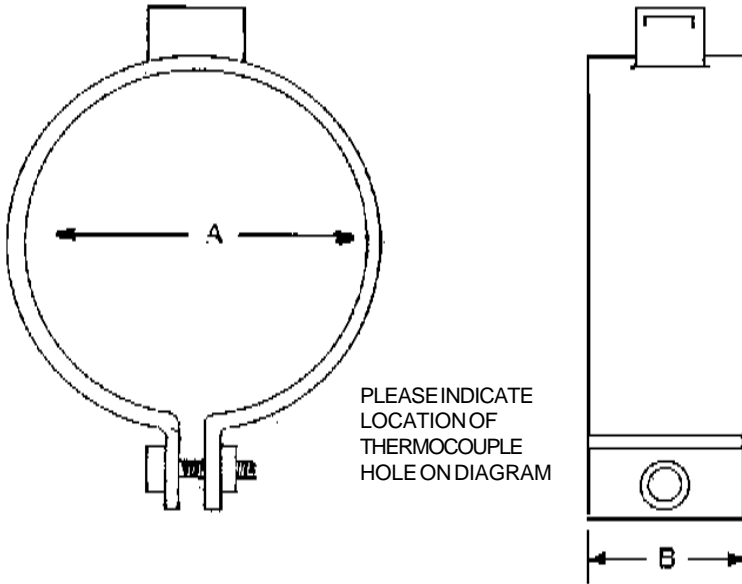
© 2009 MOLDERS CHOICE, Inc.



**24 Hour Service - 7 Days a week**  
**1-800-809-4623**  
 WebSite: [www.molderschoice.com](http://www.molderschoice.com) • Email: [molders@molderschoice.com](mailto:molders@molderschoice.com)

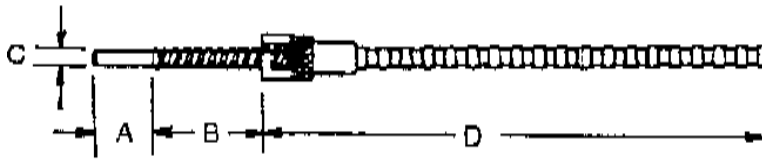


# SPECIAL ORDER HEATER BANDS



- (A) ID: \_\_\_\_\_ (B) WIDTH: \_\_\_\_\_
- (C) Volts: \_\_\_\_\_ (D) Watts: \_\_\_\_\_
- (E) Leads: \_\_\_\_\_  
(flexible, armor covered, post terminals)
- (F) Lock-up flange  
Wedgelock: \_\_\_\_\_  
Barrel and Nut: \_\_\_\_\_
- (G) Insulation Type: Mica: \_\_\_\_\_  
Ceramic: \_\_\_\_\_  
Other: \_\_\_\_\_
- (H) Construction: One pc: \_\_\_\_\_  
Two pc: \_\_\_\_\_
- (I) Thermocouple: Indicate size and hole location in diagram at left

# SPECIAL ORDER THERMOCOUPLES



- A) Tip length: \_\_\_\_\_
- B) Spring and cap length: \_\_\_\_\_  
(standard length is 1 -3/4)
- C) Tip diameter: \_\_\_\_\_
- D) Lead length: \_\_\_\_\_
- E) Bend required: \_\_\_\_\_  
(indicate degree of bend above locking cap)
- F) Grounded or Ungrounded: \_\_\_\_\_
- G) Type "J" or "K" \_\_\_\_\_

Date: \_\_\_\_\_ Phone: \_\_\_\_\_  
 Name: \_\_\_\_\_ Fax: \_\_\_\_\_  
 Co. Name: \_\_\_\_\_  
 Address: \_\_\_\_\_  
 City: \_\_\_\_\_ State: \_\_\_\_\_ Zip: \_\_\_\_\_

© 2009 MOLDERS CHOICE, Inc.



24 Hour Service - 7 Days a week

## 1-800-809-4623

WebSite: [www.molderschoice.com](http://www.molderschoice.com) • Email: [modlers@molderschoice.com](mailto:modlers@molderschoice.com)

# CERAMIC HEATER BANDS

## for Injection Machine Barrels.

### Increase Recovery Rates

Higher watt-densities improve plastic melt

### Mold at Higher Temperatures

Ideal for molding exotic engineered materials, achieve temperatures to 1400° F or more.

### Very Efficient 3-Way Transfer

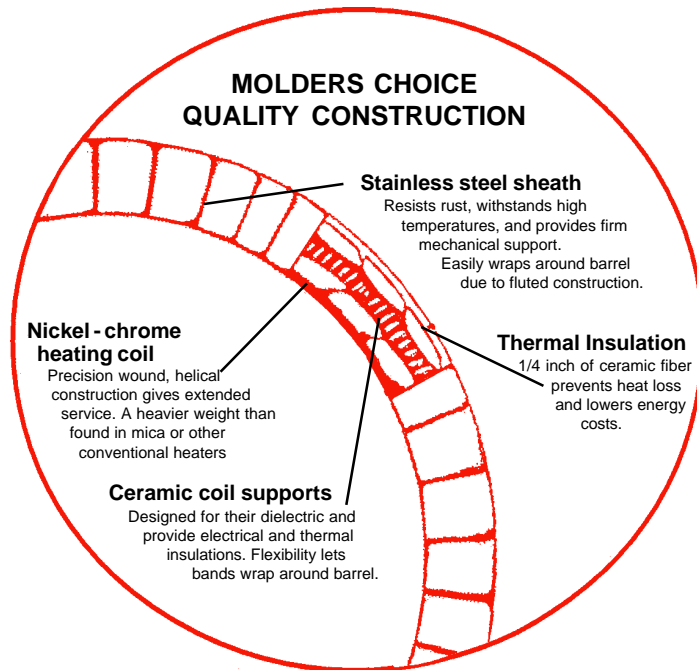
These " electric furnaces" develop heat transfer by conduction, convection and radiation.

### Lower Energy Costs

Built-in insulation minimizes heat loss, keeps heat transferring to barrel.

### Longer Life

Unlike conventional mica bands, a tight fit on the barrel is not necessary. No hot spots are developed when the fit is loose or irregularities exist on the barrel.



© 2009 MOLDERS CHOICE, Inc.



24 Hour Service - 7 Days a week  
**1-800-809-4623**  
WebSite: [www.molderschoice.com](http://www.molderschoice.com) • Email: [molders@molderschoice.com](mailto:molders@molderschoice.com)

# ADJUSTABLE CERAMIC HEATER BANDS



- LOWER ENERGY COSTS
- LONG LIFE

## The "MOLDERS CHOICE" in Heater Band Solutions

**SPECIFICATIONS:**

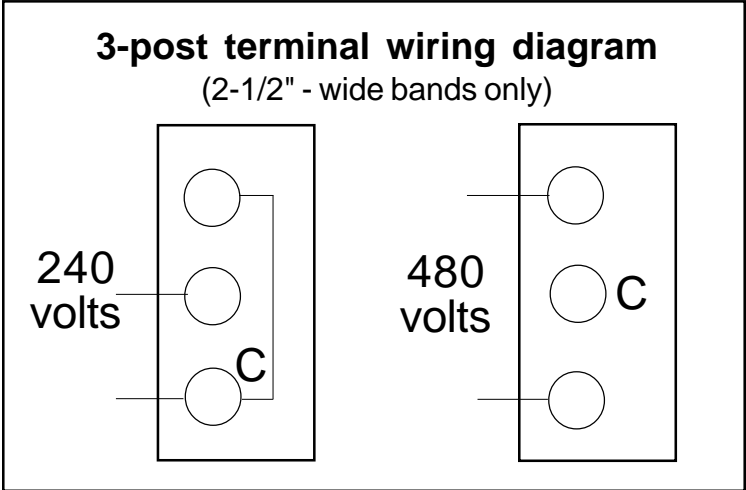
TEMPERATURES: UP TO 1400° F  
 WATT DENSITY: UP TO 45 w/sq in.  
 INSULATION: 1/4"- thick ceramic fiber

LOCK-UP: Barrel and Nut

**VOLTAGE:**

1-1/2"- wide bands : 2 post Terminals  
 240 Volt  
 2-1/2"-wide bands : 3 post Terminals  
 Can be wired for  
 240 or 480 Volt

**IN STOCK**



FITS BARREL DIAMETER		1-1/2" Wide			2-1/2" Wide		
STANDARD	METRIC	WATTS	PART #	PRICE	WATTS	PART #	PRICE
4 - 4-1/2	102-114	650	HBAC40-15	\$61.75	1100	HBAC40-25	\$70.00
4-1/2 - 5	114-127	750	HBAC45-15	\$64.30	1200	HBAC45-25	\$68.80
5 - 5-1/2	127-140	825	HBAC50-15	\$67.30	1300	HBAC50-25	\$72.10
5 -1/2 - 6	140-152	900	HBAC55-15	\$70.00	1500	HBAC55-25	\$75.00
6 - 6-1/2	152-165	1000	HBAC60-15	\$73.75	1650	HBAC60-25	\$77.85
6-1/2 - 7	165-178	1100	HBAC65-15	\$74.80	1750	HBAC65-25	\$80.80
7 - 7-1/2	178-190	1150	HBAC70-15	\$77.10	1900	HBAC70-25	\$83.60
7-1/2 - 8	190-203	1250	HBAC75-15	\$77.70	2000	HBAC75-25	\$86.50
8 - 8-1/2	203-216	1300	HBAC80-15	\$82.00	2200	HBAC80-25	\$89.30
8-1/2 - 9	216-229	1400	HBAC85-15	\$84.30	2300	HBAC85-25	\$92.15
9 - 9-1/2	229-241	1500	HBAC90-15	\$86.70	2475	HBAC90-25	\$110.00
9 -1/2 - 10	241-254	1575	HBAC95-15	\$90.15	2600	HBAC95-25	\$125.00
10 -10 - 1/2	254-268	1650	HBAC100-15	\$125.00	2750	HBAC100-25	\$145.00
10-1/2 - 11	68-280	1725	HBAC105-15	\$135.00	2875	HBAC105-25	\$155.00
11 - 11-1/2	280-292	1800	HBAC110 -15	\$155.00	3000	HBAC110-25	\$185.00

© 2009 MOLDERS CHOICE, Inc.



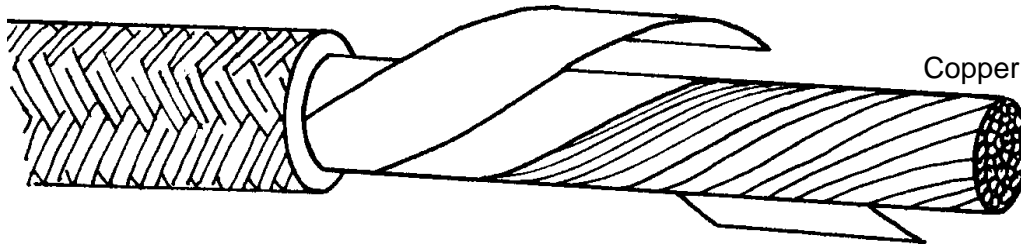
**24 Hour Service - 7 Days a week**

## 1-800-809-4623

WebSite: [www.molderschoice.com](http://www.molderschoice.com) • E-mail: [molders@molderschoice.com](mailto:molders@molderschoice.com)

# HEATER BAND ACCESSORIES

## MG High-Temperature Wire



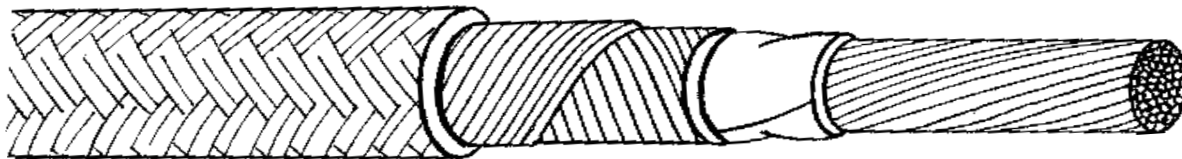
Copper Stranded Nickel Coated

MG high-temperature lead wire is designed for industrial heating applications.

- Temperature rating: 842°F (450°C) 600 volts
- UL and CSA certified

PART#	GAGE	NOMINAL	O.D. STRANDING	PRICE
<b>MG8</b>	8	.262	133/0113	<b>\$3.25 per ft.</b>
<b>MG10</b>	10	.224	05/30	<b>\$2.25 per ft.</b>
<b>MG12</b>	12	.61	65/30	<b>\$1.62 per ft.</b>

## TGGT High Temperature Wire



TGGT high-temperature lead wires are ideal for heater band, strip bands and cartridge heaters. The treated glass braid and servings allow the product to withstand flexing. It is moisture resistant.

- Temperature rating: 482°F (250°C) 600 volts
- UL and CSA certified

PART#	GAGE	NOMINAL O.D.	STRANDING	PRICE
<b>TGGT8</b>	8	.223	133/0113	<b>\$2.00 per ft.</b>
<b>TGGT10</b>	10	.191	105/0100	<b>\$1.50 per ft.</b>
<b>TGGT12</b>	12	.153	65/0100	<b>\$1.45 per ft.</b>
<b>TGGT14</b>	14	.135	41/0100	<b>\$1.40 per ft.</b>
<b>TGGT18</b>	18	.108	14/0092	<b>\$1.00 per ft.</b>



© 2014 MOLDERS CHOICE, Inc.

**24 Hour Service - 7 Days a week**  
**1-800-809-4623**  
 WebSite: [www.molderschoice.com](http://www.molderschoice.com) • Email: [molders@molderschoice.com](mailto:molders@molderschoice.com)

# HEATER BANDS ACCESSORIES



WIRE LUGS			
PART #	Wire range	Stud size	PRICE
WL008	8	10	\$ .40
WL1012	10-12	10	\$ .40
WL1416	14-16	10	\$ .40
WL1622	16-22	10	\$ .40



WIRE SPLICERS			
PART #	Wire range	Material	PRICE
SPL1012	10-12	Nickel	\$ .35
SPL1012NI	10-12	Nylon Insulated	\$ .35
SPL1416	14-16	Nickel	\$ .45
SPL1416NI	16-22	Nylon Insulated	\$ .45
SPL1622	14-16	Nickel	\$ .55
SPL1622NI	16-22	Nylon Insulated	\$ .55



POST PROTECTORS			
PART #	Thread size	Material	PRICE
PP832	8-32	Ceramic	\$1.25
PP1024	10-24	Ceramic	\$1.25
PP1032	10-32	Ceramic	\$1.30
PP1420	1/4-20	Ceramic	\$6.50



HIGH HEAT TAPE		
Glass cloth with silicone polymer adhesive good for temperatures up to 356° F. UL Recognized as flame retardant 3/4" wide x 40 ft. long	PART #	PRICE
		T34110

© 2014 MOLDERS CHOICE, Inc.



24 Hour Service - 7 Days a week

# 1-800-809-4623

 WebSite: [www.molderschoice.com](http://www.molderschoice.com) • Email: [modlers@molderschoice.com](mailto:modlers@molderschoice.com)