

3/4 SMARTFLOW ALUMINUM MANIFOLDS

Model Number

6SA - 8 - 3 - 2 - Y

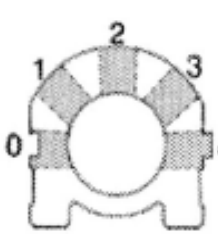
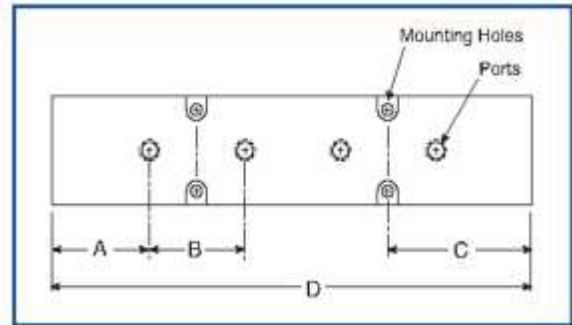
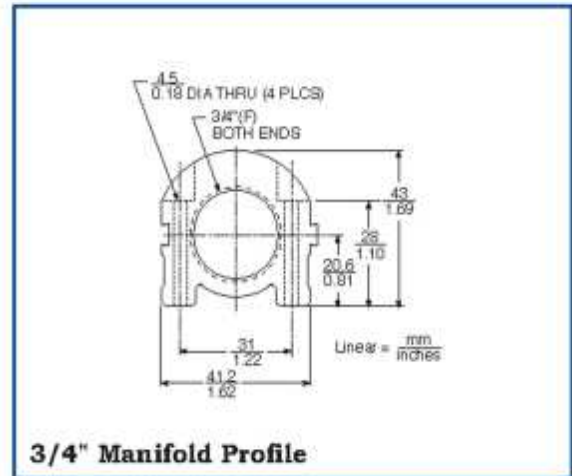
Supply Threads
 NPT **6SA**
 British Parallel **6BSA**
 British Taper **6TSA**

Total Number of ports **4 to 16**

Port Sizes
 1/4" NPT(F) **2**
 1/4" BSPP(F) **2B**
 1/4" BSPT(F) **2T**
 3/8" NPT(F) **3**
 3/8" BSPP(F) **3B**
 3/8" BSPT(F) **3T**

Anodizing
 Y Red
 Z Blue

Port Locations
 0 Left Side
 1 Left 45°
 2 Center
 3 Right 45°
 4 Right Side

Quick delivery is standard for made-to-order manifolds.
 Please call for availability.

Quick ship stock 3/4" Manifolds									
Number of Ports	1/4" Ports				Number of Ports	3/8" Ports			
	Model Number	Length in.	Length mm	Weight lbs.		Model Number	Length in.	Length mm	Weight lbs.
4	6SA-4-2-2	7.5	190	1.1 0.5	4	6SA-4-3-2	9	229	1.4 0.6
6	6SA-6-2-2	10.5	267	1.6 0.7	6	6SA-6-3-2	13	330	2.0 0.9
8	6SA-8-2-2	13.5	343	2.0 0.9	8	6SA-8-3-2	17	432	2.6 1.2

For paired installation, slide manifolds together using dovetail lock along the side of each manifold.



© 2017 MOLDERS CHOICE, Inc.

24 Hour Service - 7 Days a week
1-800-809-4623
 WebSite: www.molderschoice.com • Email: molders@molderschoice.com

1" SMARTFLOW ALUMINUM MANIFOLDS

Model Number

8SA - 16 - 2 - 3 - Y

Supply Threads

NPT
British Parallel
British Taper

SA
BSA
TSA

Total Number of ports

4 to 16

Ports Size

1/4" NPT(F)
1/4" BSPP(F)
1/4" BSPT(F)
3/8" NPT(F)
3/8" BSPP(F)
3/8" BSPT(F)
1/2" NPT(F)
1/2" BSPP(F)
1/2" BSPT(F)

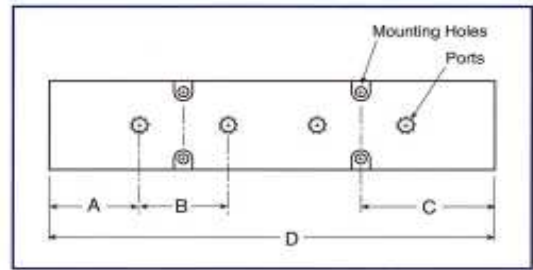
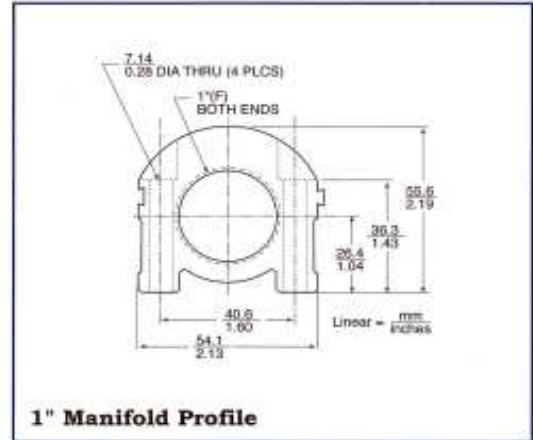
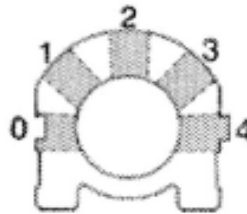
2
2B
2T
3
3B
3T
4
4B
4T

Anodizing

Y Red
Z Blue

Port Locations

0 Left Side
1 Left 45°
2 Center
3 Right 45°
4 Right Side



Quick delivery is standard for made-to-order manifolds.
Please call for availability.

Quick ship stock 1" Manifolds							
Number of Ports	1/4"			Number of Ports	3/8"		
	Model Number	Length in.	Weight lbs.		Model Number	Length in.	Weight lbs.
4	8SA-4-2-2	7.5	2.0	4	8SA-4-3-2	9	1.4
6	8SA-6-4-2	10.5	2.8	6	8SA-6-3-2	13	2.0
8	8SA-8-4-2	13.5	3.6	8	8SA-8-3-2	17	2.6
10	8SA-8-2-2	16.5	4.5	10	8SA-10-3-2	16.5	4.5
12	8SA-12-4-2	19.5	5.3	12	8SA-12-3-2	19.5	5.3
16	8SA-16-4-2	25.5	6.9	16	8SA-16-3-2	25.5	6.9

For paired installation, slide manifolds together using dovetail lock along the side of each manifold.



©2017 MOLDERS CHOICE, Inc.

24 Hour Service - 7 Days a week
1-800-809-4623
WebSite: www.molderschoice.com • Email: molders@molderschoice.com

1-1/2" SMARTFLOW ALUMINUM MANIFOLDS

Model Number

12SA - 16 - 4 - 3 - Y

Supply Threads

NPT
British Parallel
British Taper

12SA
12BSA
12TSA

Anodizing

Y Red
Z Blue

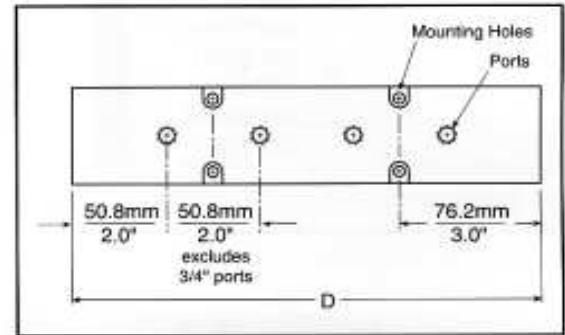
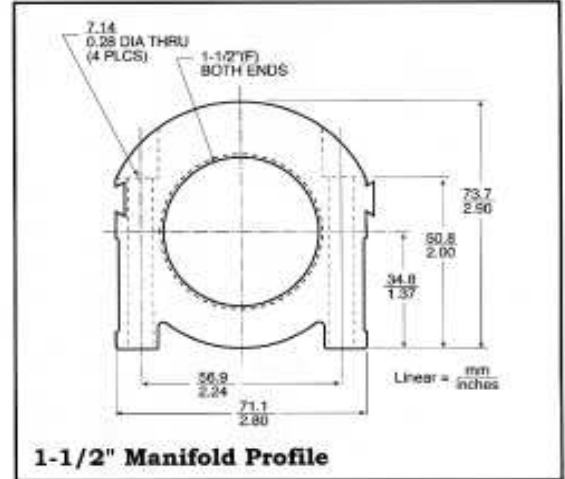
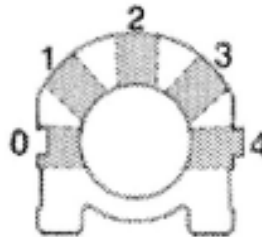
Ports Locations

- 0 Left Side
- 1 Left 45°
- 2 Center
- 3 Right 45°
- 4 Right Side

Total Number of ports **4 to 16**

Ports Size

- 3/8" NPT(F) **3**
- 3/8" BSPP(F) **3B**
- 3/8" BSPT(F) **3T**
- 1/2" NPT(F) **4**
- 1/2" BSPP(F) **4B**
- 1/2" BSPT(F) **4T**
- 3/4" NPT(F) **6**
- 3/4" BSPP(F) **6B**
- 3/4" BSPT(F) **6T**



Quick ship stock 1-1/2" Manifolds					
Number of Ports	Model Number	1/2" Ports		Weight	
		in.	mm	lbs.	kg
4	12SA-4-2-2	10	254	4.4	2.0
6	12SA-6-4-2	14	356	6.2	2.8
8	12SA-8-4-2	18	457	7.9	3.6
10	12SA-10-4-2	22	559	9.7	3.6
12	12SA-12-4-2	26	660	11.4	5.1
16	12SA-16-4-2	34	864	15.0	6.7

Quick delivery is standard for made-to-order manifolds. Please call for availability.

For paired installation, slide manifolds together using dovetail lock along the side of each manifold.



24 Hour Service - 7 Days a week
1-800-809-4623
 WebSite: www.molderschoice.com • Email: molders@molderschoice.com

2" SMARTFLOW INLINE MANIFOLDS

Model Number

16SA - 16 - 4 - 2 - Y

Supply Threads

NPT
British Parallel
British Taper

A
BA
TA

Anodizing

Y Red
Z Blue

Port Locations
Center

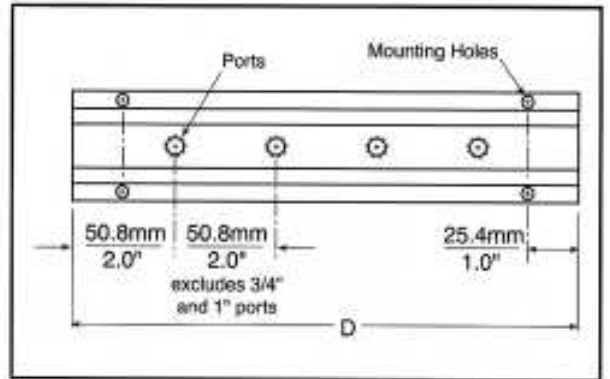
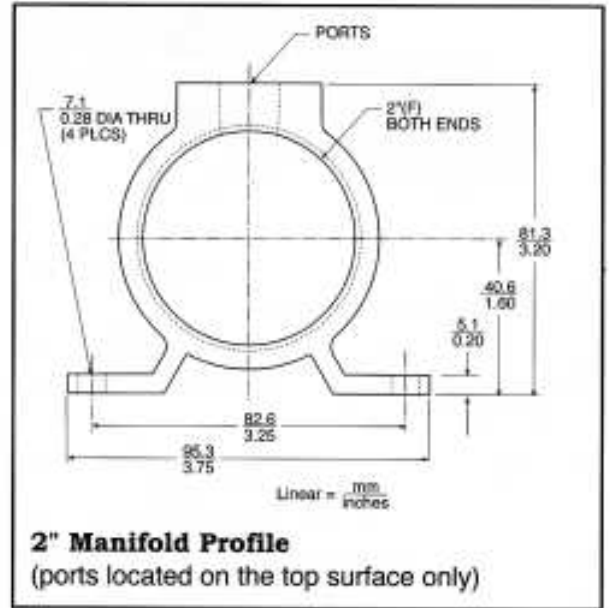
2

Total Number of ports

4 to 16

Ports Size

1/2" BSPP(F)	4B
1/2" BSPT(F)	4T
3/4" NPT(F)	6
3/4" BSPP(F)	6B
3/4" BSPT(F)	6T
1" NPT(F)	8
1" BSPP(F)	8B
1" BSPT(F)	8T



Quick ship stock 2" Manifolds					
Number of Ports	1/2" Ports				
	Model Number	Length	Weight		
		in. mm	lbs.	kg	
4	16SA-4-4-2	10 254	2.9	2.9	
6	16SA-6-4-2	14 356	4.1	1.8	
8	16SA-8-4-2	18 457	5.2	2.4	
12	16SA-12-4-2	26 660	7.5	3.4	
16	16SA-16-4-2	34 864	9.9	4.5	

For paired installation, slide manifolds together using dovetail lock along the side of each manifold.

Quick delivery is standard for made-to-order manifolds. Please call for availability.

© 2017 MOLDERS CHOICE, Inc.



24 Hour Service - 7 Days a week
1-800-809-4623
 WebSite: www.molderschoice.com • Email: molders@molderschoice.com