

# NOZZLE TIPS

*Reduce Nozzle costs and increase flexibility*



## 2 Choices of materials

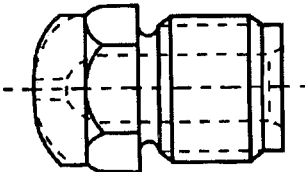
- **Chrome Vanadium Tungsten tool steel:**
  - Exceptional toughness and impact strength
  - Superior wear resistance
  - Resistance to high temperature fatigue
- **Beryllium Copper:**
  - Reduces tip freeze-offs
  - Eliminates stringing problems

### Replace only the tip for:

- Longer lengths for recessed sprue bushings
- Orifice size to reduce pressure drop at nozzle
- When radius is worn or damaged
- Internal design matching your type of plastic material

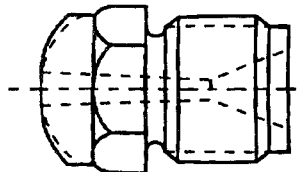
## Available in 3 Internal Designs

**GENERAL PURPOSE**  
(Straight Bore)



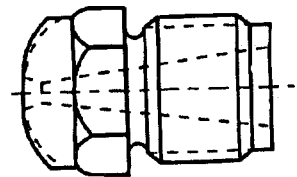
For all general purpose materials;  
i.e. styrene, polyethylene, polypropylene etc.

**NYLON**  
(Reverse Taper)



Reduces drool when  
processing nylon.

**FULL TAPER**



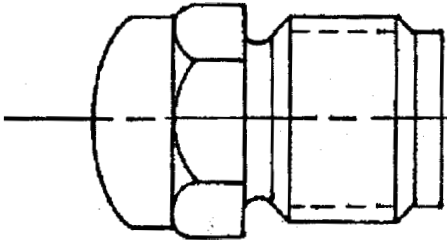
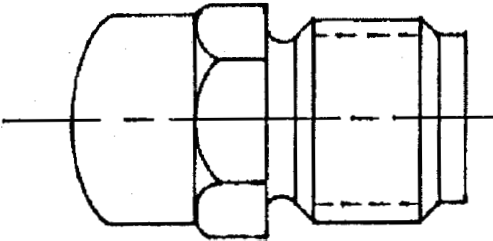
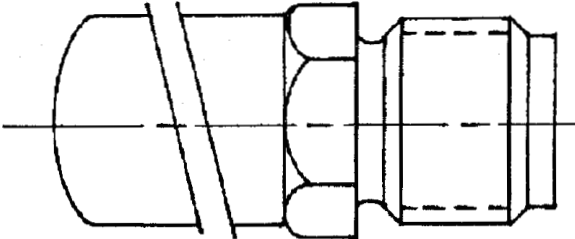
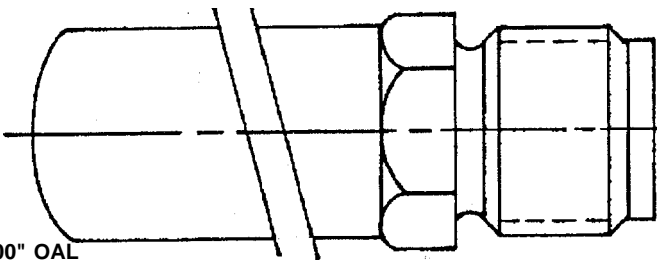
For use with ABS, PVC, acrylics  
and other engineering materials.



© 2009 MOLDERS CHOICE, Inc.

24 Hour Service - 7 Days a week  
**1-800-809-4623**  
 WebSite: [www.molderschoice.com](http://www.molderschoice.com) • Email: [molders@molderschoice.com](mailto:molders@molderschoice.com)

# TOOL STEEL or COPPER NICKEL NOZZLE TIPS

 <p><b>1-1/2" OAL</b> Adds 3/4" to body length</p>	 <p><b>2.75" OAL</b> Adds 2" to body length Takes Standard or Keylock 1"x1" Heater Band</p>	 <p><b>3-3/4" OAL</b> Adds 3-1/4" to body length Takes Standard or Keylock 1"x2" Heater Band</p>	 <p><b>5.00" OAL</b> Adds 4.25" to body length Takes Standard or Keylock 1"x 4" Heater Band</p>	<p style="text-align: center;"><b>Tool Steel</b></p> <p>General Purpose (GP)     <b>\$16.00</b> Nylon (N)                    <b>\$18.50</b> Full Taper (FT)            <b>\$22.00</b></p> <p style="text-align: center;"><b>Beryllium Copper</b></p> <p>General Purpose (GPBC)   <b>\$25.00</b> Nylon (NBC)                  <b>\$26.00</b> Full Taper (FTBC)          <b>\$26.00</b></p>	<p style="text-align: center;"><b>Tool Steel</b></p> <p>General Purpose (GP)     <b>\$45.00</b> Nylon (N)                    <b>\$49.00</b> Full Taper (FT)            <b>N/A</b></p> <p style="text-align: center;"><b>Beryllium Copper</b></p> <p>General Purpose (GPBC)   <b>\$50.00</b> Nylon (NBC)                  <b>\$50.00</b></p>	<p style="text-align: center;"><b>Tool Steel</b></p> <p>General Purpose (GP)     <b>\$50.00</b> Nylon (N)                    <b>\$52.00</b> Full Taper (FT)            <b>N/A</b></p> <p style="text-align: center;"><b>Beryllium Copper</b></p> <p>General Purpose (GPBC)   <b>\$67.00</b> Nylon (NBC)                  <b>\$67.00</b></p>	<p style="text-align: center;"><b>Tool Steel</b></p> <p>General Purpose (GP)     <b>\$85.00</b> Nylon (N)                    <b>\$88.00</b> Full Taper (FT)            <b>N/A</b></p> <p style="text-align: center;"><b>Beryllium Copper</b></p> <p>General Purpose (GPBC)   <b>\$81.00</b> Nylon (NBC)                  <b>\$81.00</b></p>
Standard 7/8"-14 Thread, 1/2" R.O.							

## Ordering Information

**For short 1-1/2" tips**

GP N FT GPBC NBC FTBC	Radius 1/2" : 5 3/4" : 7	Orifice 1/16" : .062    7/32" : .218 1/8" : .125     1/4" : .250 5/32" : .156    5/16" : .312 3/16" : .187    3/8" : .375
--------------------------------------	--------------------------------	---

**For 2.75", 3.75" & 5" long tips**

GP N GPBC NBC	Radius 1/2" : 5 3/4" : 7	Orifice 1/16" : .062    7/32" : .218 1/8" : .125     1/4" : .250 5/32" : .156    5/16" : .312 3/16" : .187    3/8" : .375	2: 2-3/4" OAL 3: 3-3/4" OAL 5: 5" OAL
------------------------	--------------------------------	---	---

©2014 MOLDERS CHOICE, Inc.



24 Hour Service - 7 Days a week

# 1-800-809-4623

WebSite: [www.molderschoice.com](http://www.molderschoice.com) • Email: [molders@molderschoice.com](mailto:molders@molderschoice.com)

# OEM - Replacement NOZZLE TIPS

## Unusual Tips for Foreign Presses

Why pay the OEM top dollar for oddball tips?

Get Top-Quality Nozzle Tips at MOLDERS CHOICE Prices.

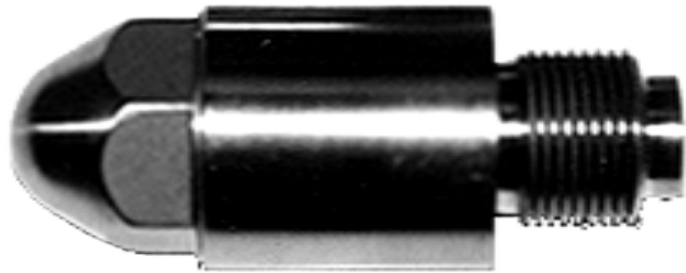
Arburg

Demag

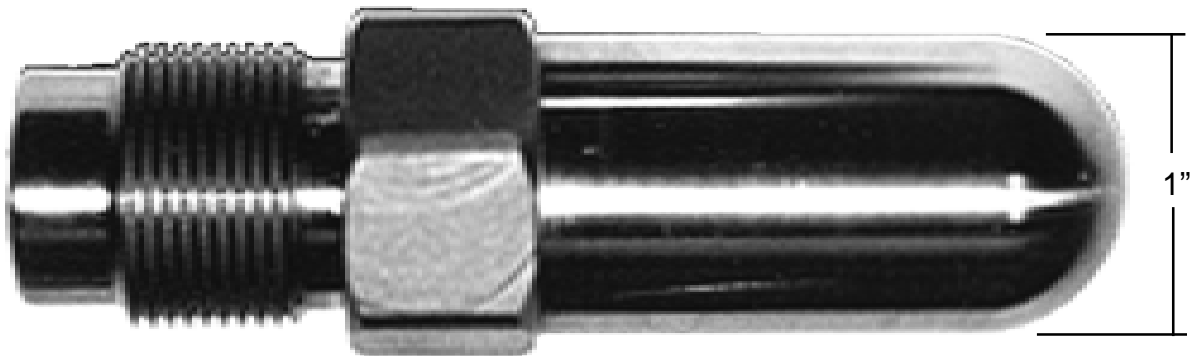
Engel

Klockner

Nissei



(Nissei 20 mm thread shown)



(Arburg 25 mm thread shown)

**Call for dimensions, price and delivery**



© 2009 MOLDERS CHOICE, Inc.

24 Hour Service - 7 Days a week

**1-800-809-4623**

WebSite: [www.molderschoice.com](http://www.molderschoice.com) • Email: [molders@molderschoice.com](mailto:molders@molderschoice.com)