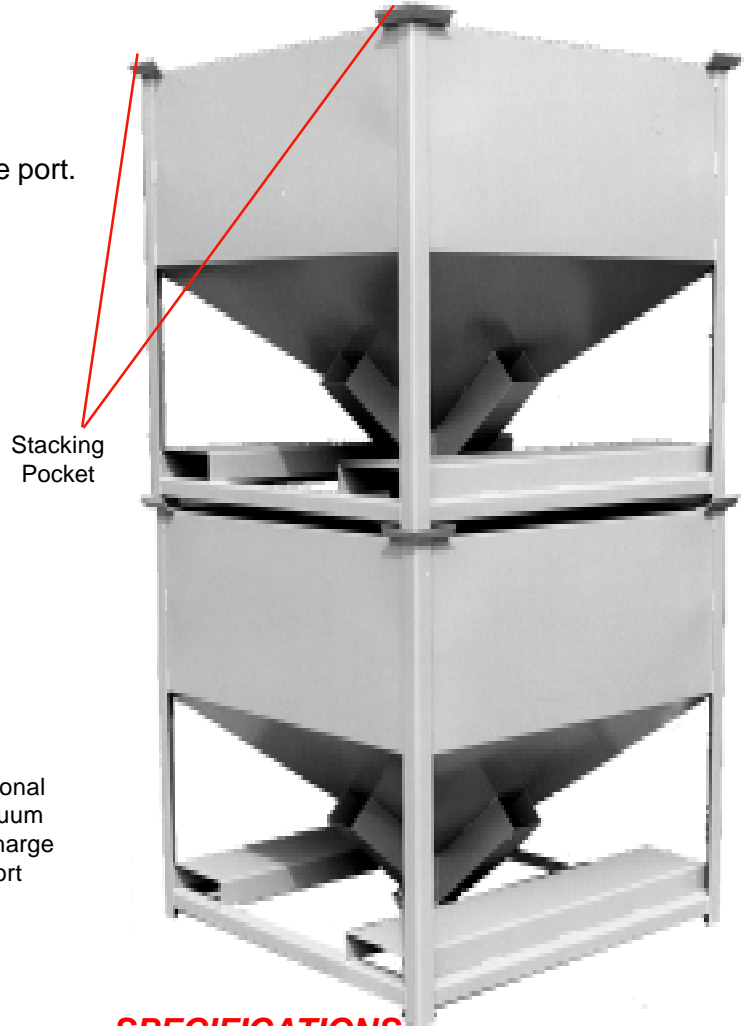
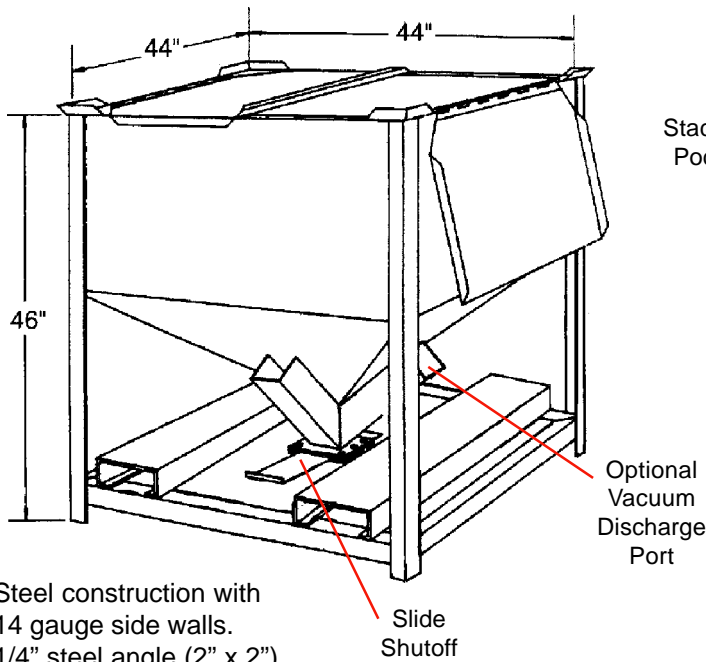


PLASTIC MATERIAL STORAGE HOPPER

• For Low-Cost Storage and Material Transfer

- Can be stacked three-high. Stacking pockets make stacking easier and safer.
- Includes slide shut-off gate on gravity discharge port.
- Options include: Vacuum Discharge Port and One-piece or Hinged Two-piece Cover



- Steel construction with 14 gauge side walls.
- 1/4" steel angle (2" x 2") for strength
- 4" discharge gate.
- Finish: Vista gray industrial enamel.
- Oversized fork pockets
- Stacking pads

Options:

- Cover, 1 pc. or 2 pc.
- Casters, 4" with two locking and two fixed wheels.
- Bag-break grate.
- Four-way fork pockets
- Stainless steel or aluminum.
- Card holders, 3" x 5".
- Custom bins to your specifications.
- Custom Paint

SPECIFICATIONS

| MODEL NO. <i>WITHOUT</i> | CAPACITY | | BASE DIMENSION | HOPPER HEIGHT | SHIPPING WEIGHT | PRICE |
|-----------------------------|----------|-------|-------------------|------------------|--------------------|------------------|
| | CU.FT. | LBS* | | | | |
| MSH1050 | 30 | 1,050 | 44" x 44" | 42" | 350 | \$738.00 |
| MSH1400 | 40 | 1,400 | 44" x 44" | 52" | 365 | \$804.00 |
| MSH1750 | 50 | 1,750 | 44" x 44" | 62" | 395 | \$858.00 |
| MSH2100 | 60 | 2,100 | 44" x 44" | 72" | 435 | \$918.00 |
| With 4" VACUUM PORTS | | | | | | |
| MSH1050V | 30 | 1,050 | 44" x 44" | 46" | 365 | \$785.00 |
| MSH1400V | 40 | 1,400 | 44" x 44" | 56" | 380 | \$822.00 |
| MSH1750V | 50 | 1,750 | 44" x 44" | 66" | 410 | \$935.00 |
| MSH2100V | 60 | 2,100 | 44" x 44" | 76" | 450 | \$1012.00 |

* Based on 36 lb. per cu. ft. material

© 2014 MOLDERS CHOICE, Inc.



24 Hour Service - 7 Days a week
1-800-809-4623
 WebSite: www.molderschoice.com • Email: molders@molderschoice.com