

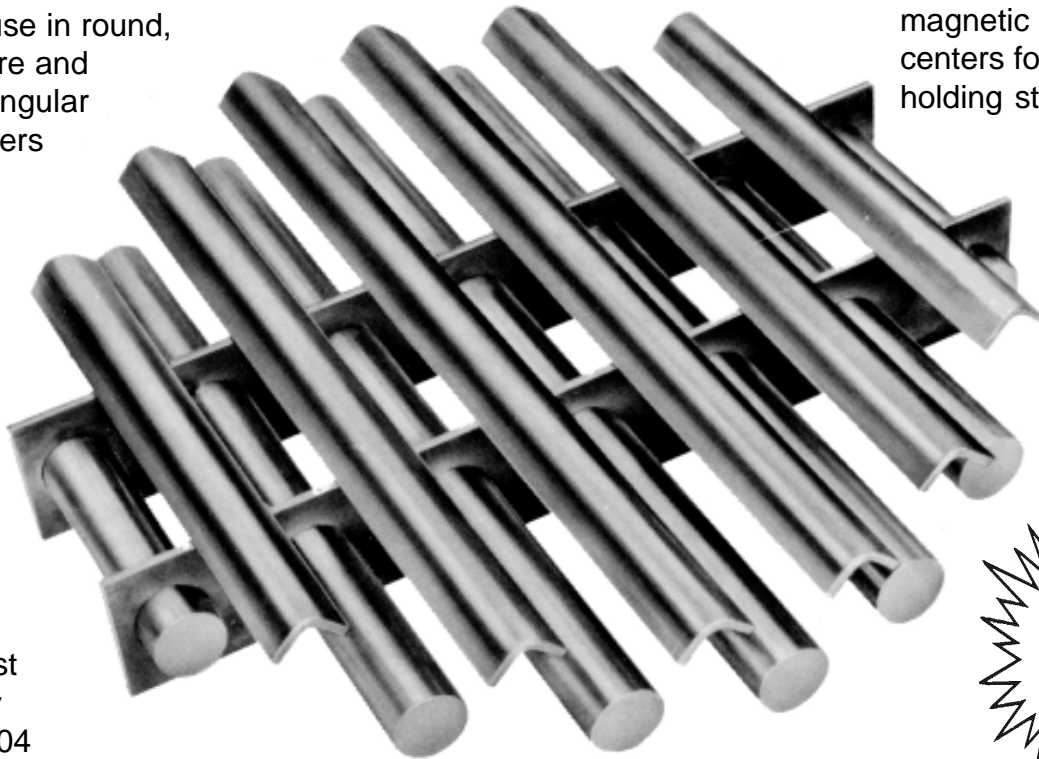
HOPPER MAGNETS

MOLDERS CHOICE Hopper Magnets are ideal for trapping tramp iron and other ferrous objects such as inserts, bolts, staples, etc.

We offer high-quality magnets at a fair price. Don't be fooled by inexpensive models

For use in round, square and rectangular hoppers

Featuring 1" dia ceramic magnetic bars on 2" centers for optimum holding strength



Highest quality type 304 stainless steel



TIPS FOR ORDERING: Magnets should be at least two times the cross sectional area of the hopper outlet.

SQUARE

PART #	SIZE	PRICE
HMS44	4" x 4"	\$66.00
HMS66	6" x 6"	\$104.00
HMS88	8" x 8"	\$154.00
HMS1010	10" x 10"	\$207.00
HMS1212	12" x 12"	\$265.00

ROUND

PART #	SIZE	PRICE
HMR4	4"	\$52.00
HMR6	6"	\$79.00
HMR8	8"	\$113.00
HMR10	10"	\$155.00
HMR12	12"	\$198.00

Special sizes made promptly to order

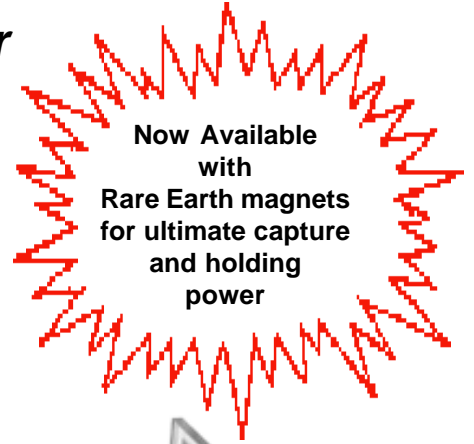
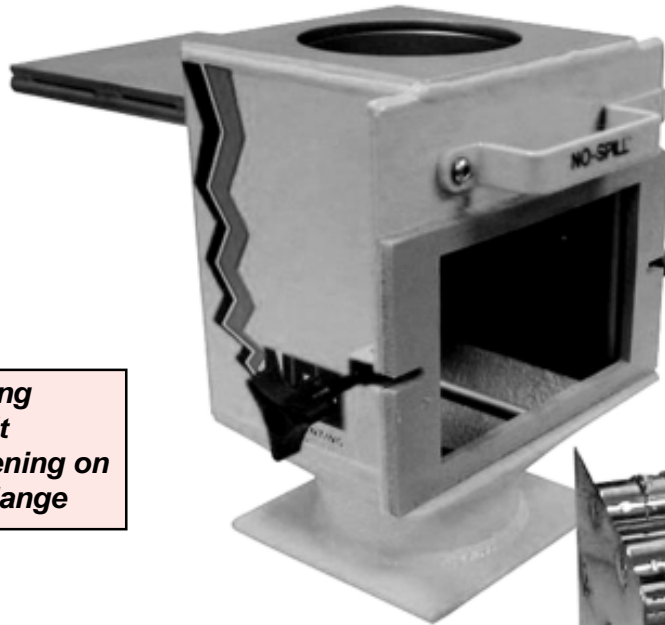
© 2009 MOLDERS CHOICE, Inc.



24 Hour Service - 7 Days a week
1-800-809-4623
 WebSite: www.molderschoice.com • Email: molders@molderschoice.com

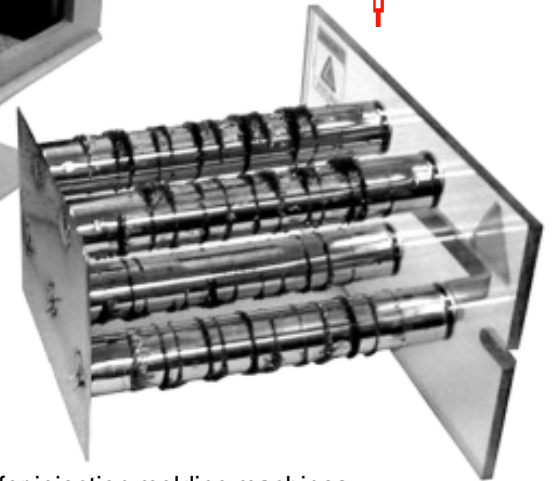
DRAWER TYPE MAGNETS

Easy to clean, Easy to monitor



Now Available with Rare Earth magnets for ultimate capture and holding power

When ordering specify bolt hole pattern & opening on top & bottom flange



All Molders Choice Welded Stainless Steel Housings come with the following features:

- "No-Spill" Slide Gate.
- 3/8" Lexan drawer front for monitoring material flow.
- Also available in undrilled plates.
- Featuring the only temperature compensated NEO **Rare Earth** magnets for injection molding machines.
- Magnetic Latch locks the No-Spill slide gate open during operation.
- New EPDM gasket resists heat aging.

	PART #	MAGNET SIZE	THROAT SIZE	HOUSING HEIGHT	PRICE
Standard	FF4400PLS	4" x 4"	1-3/4" or smaller	10-1/2"	\$625.00
Drilled	FF4600PLS	6" x 6"	1-7/8" to 3-7/8"	10-5/8"	\$750.00
Pattern	FF4800PLS*	8" x 8"	4" to 6"	10-7/8"	\$995.00

	PART #	FOR MODEL #	TOP OPENING DIA.	BOTTOM OPENING DIA.	FLANGE	PRICE
Undrilled	DR2100D	FF4600PLS	4-1/4"	2-7/8"	6" x 6"	\$683.00
	DR2200D	FF4600PLS	4-1/4"	2-7/8"	8" x 8"	\$694.00
	DR3500D	FF4800PLS*	6"	5-1/2"	8" x 8"	\$912.00

OPTIONS: For Standard Drawer Magnets Only	
Purge Hopper (specify right or left)	ADD \$155.00
Dump Tube	ADD \$54.00
Liquid Port	ADD \$54.00

Call and request a special order form.

© 2013 MOLDERS CHOICE, Inc.



24 Hour Service - 7 Days a week
1-800-809-4623
 WebSite: www.molderschoice.com • Email: molders@molderschoice.com